

USER'S MANUAL
BEDIENUNGSANLEITUNG
MANUEL D'UTILISATION
MANUAL DE USUARIO
INSTRUKCJA OBSŁUGI
MANUALE D'USO

DEFENDER®



DEFENDER® MICRO 2

DEFENDER® MICRO 2

ENGLISH

TABLE OF CONTENTS

SAFETY INFORMATION	page 3
GENERAL DESCRIPTION	page 4
CARE AND MAINTENANCE	page 4
SETUP	page 5
DETAILED DESCRIPTION OF DEFENDER® MICRO 2	page 6
REPLACEMENT PARTS AND ACCESSORIES	page 8
DISPOSAL	page 8
LIMITED WARRANTY	page 9
LIMITATION OF LIABILITY	page 10
REQUESTING WARRANTY-SERVICE	page 10

DEUTSCH

FRANCAIS

ESPAÑOL

POLSKI

ITALIANO

Always up-to-date online at: defender-protects.com

SAFETY INFORMATION

All cable protectors in the DEFENDER® SERIES are designed to protect cables of all types against damage, and visitors as well as operators from injuries by tripping. To ensure these goals, the following safety instructions for use of the cable protectors must be observed:

- This user's manual is an integral part of the product and must be read carefully before use.
- DEFENDER® cable protectors may only be used in accordance with their intended purposes and maximum load-bearing capacity. Valid parameters can be found in the detailed description of the respective product variant.
- DEFENDER® cable protectors are designed for use on firm and level ground. The load specified in the detailed descriptions is achieved only on level and solid ground. Load-bearing capacity may be greatly reduced on uneven or soft ground.
- Please note that additional markings / hazard warnings or even permits may be required when using cable protectors on public thoroughfares, walkways, etc.
- Use DEFENDER® cable protectors only with original replacement parts and accessories.



HAZARD

Incorrect insulation Life-threatening danger due to electric shock → Only use cables that comply with the prescribed installation regulations with regard to voltage, current, insulation material, load capacity, etc.



Caution! Tripping hazard.

ESPECIALLY IMPORTANT:

- **Do not modify the product in ANY way. Modifications to the DEFENDER® cable protector change the product's characteristics, reduce its protective effect, and lead to a loss of the warranty.**
- **Do NOT bridge over ANY ditches, shafts, stairs, or similar depressions.**
- **Do NOT support pedestals, scaffolding, beams, and similar on the cable protectors.**
- **Do NOT run rigid gas lines in the cable protectors.**
- **Do NOT run cables with a voltage >500V in the cable protectors.**
- **Fill the cable ducts up to a max. of 70% to the underside of the cover.**

To ensure that the trip protection does not itself become a tripping hazard:

- Connect the cable protectors in complete sections.
- Check that the connectors are flush for each installation.
- Check that the lid closures function for each installation.
- Make sure that the lid closure snaps securely into the base.
- Keep the hinge area and lid closure clean.
- Remove any excess lubricant from the hinges after care.

DEFENDER[®] MICRO 2

ENGLISH

GENERAL DESCRIPTION

Cable protectors are used to protect floor cables that are not permanently installed, for example at trade shows, markets and in the event industry. Cable protectors are used to prevent people from tripping.

You have chosen the DEFENDER[®] SERIES and thus made the best choice when it comes to protecting your cables and people. DEFENDER[®] cable protectors are characterised by:

- TÜV SÜD-certified safety (MICRO 2-86100, MINI-85200, MIDI 5-85300)
- Patented with self-cleaning hinge (EU Patent No.: EP1366550)
- Development and production in Germany
- Fire protection class E according to DIN EN 13501-1
- Stringent raw material and production controls
- Very stable, tear-resistant and 100% recyclable plastic
- Resistance to oil, acid and petrol
- Temperature resistance from -30°C to +60°C
- A shore A hardness of 88 ± 4
- A wide range of product variants with coordinated system elements
- A wide range of uses, from construction sites to offices

DEUTSCH

FRANCAIS

ESPAÑOL

CARE AND MAINTENANCE

All cable protectors in the DEFENDER[®] SERIES are made of extremely sturdy, non-breakable plastic (polyurethane). The protectors can be easily cleaned, even using a steam jet cleaner. In order to ensure trouble-free functioning, however, the hinge area and the lid closure should always be kept clean; slightly lubricate hinges and closure on a regular basis. For this, we recommend using a commercially available Teflon or silicone spray. Wipe off excess lubricant after application to avoid any risk of slipping.

POLSKI

ITALIANO

SETUP

The cable protectors from the DEFENDER® series are easy and safe to set up. Surfaces, edges and corners are designed in such a way that there is no danger of injury. Cable protectors with a weight up to 20 kg can be transported safely by one person. Cable protectors weighing more than 20 kg can be transported safely by two people.

Each cable protector has connectors and corresponding sockets that enable you to connect cable protectors in the same series endlessly with one another. Generally, sections are stable enough to be walked on or driven over without any additional precautions. To find the right cable protector for your respective requirements, please see the attached detailed product description for the load-bearing capacity and use.

For the product versions DEFENDER® 3 AND ULTRA L 2, special holes for floor anchoring are provided. If complete sections from these product variants are exposed to increased requirements, so that there is a risk of the section shifting during use, we recommend additionally anchoring the section to the ground or floor. Please note that additional markings / hazard warnings or even permits may be required when using cable protectors on public thoroughfares, walkways, etc.

The load-bearing capacity specified in the detailed descriptions is achieved only on level and solid ground. Load-bearing capacity may be greatly reduced on uneven or soft ground. In such cases, you should conduct appropriate load tests before using the protector. We guarantee the load-bearing capacity of our cable protectors only with proper use of unmodified products on firm and level ground.

DEFENDER® cable protectors help protect pipes (e.g. water/sewage) and low voltage cables up to 500 V (e.g. communication/control cables/power supply). The cable protectors are NOT suitable for rigid gas pipes.

When using fragile couplings and connectors within the connected section, make sure there is sufficient space to either side and above. Each user is responsible for the manner of installation and selection of cables to be protected with the help of the DEFENDER® cable protectors.

After installation (except for the COMPACT and OFFICE models), the lids can be opened by pulling them upward. They snap into the open position automatically and stay open until you close them again, thus making it easier to run your cables. After running your cables, close the lid. When doing so, make certain that the lid closure snaps into the base securely. This is the only way to ensure that the lid stays closed under load.

ENGLISH

DEUTSCH

FRANCAIS

ESPAÑOL

POLSKI

ITALIANO

DEFENDER® MICRO 2

ENGLISH

DEFENDER® MICRO 2

The compact DEFENDER® MICRO 2 cable protector is ideally suited to indoor and outdoor use, such as at exhibitions and trade fairs and in shopping centers, stages, or studios. It is equipped with two 1.4 × 1.2 inch cable guides for high-power cables and water hoses. With a load-bearing capacity of 2 tons per 7.9 × 7.9 inches, MICRO 2 cable protectors can hold the weight of smaller trucks, vehicles, trolleys, bicycles, wheelchairs, and pedestrians. The high level of tread and slip resistance is derived from the LaserGrip® surface with its special structure and unique design. Extremely break-resistant TPU material ensures the durability of the robust cable protector.

Even greater safety thanks to the new 3D LaserGrip® surface

The innovative design of the 3D LaserGrip® surface significantly increases tread and slip resistance. Due to the special shape and surface structure, the risk of moving an entire line of DEFENDER® MICRO 2 cable protectors is significantly reduced, even when driven over by heavy vehicles.

Label your cable protectors! All DEFENDER® cable protectors can be customized with your company logo from a minimum order of just 30 units per model. The corresponding format template is available in the download area above. Ask us about it.

DEUTSCH

FRANCAIS

ESPAÑOL

POLSKI

ITALIANO

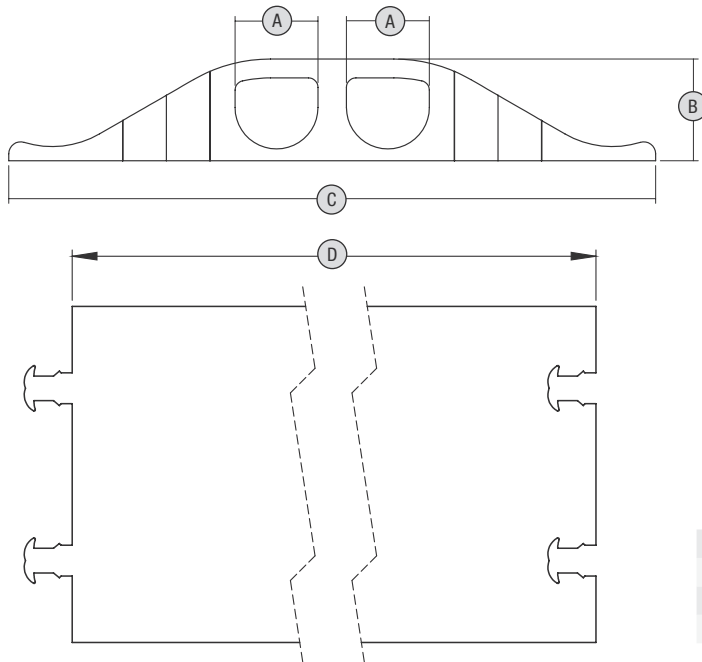
MICRO 2 MICRO 2 BLK	1005 x 273 x 45 mm	Weight: 5.2 kg
Load-bearing capacity:		
Tons (Area 20 x 20 cm)	Channel filling level	
1.3 t	21 mm	
2.0 t	18 mm	
Areas of use:		
Exhibitions / walkways / marketplaces / Christmas markets / workshops / warehouses / shopping centers / department stores / etc.		



86100

86100BLK

ENGINEERING DRAWING



A	35 mm / 1.4"
B	45 mm / 1.8"
C	273 mm / 10.7"
D	1005 mm / 39.6"

Accessories:



86101M
DEFENDER® MICRO END RAMP MALE



86101F
DEFENDER® MICRO END RAMP FEMALE

ENGLISH

DEUTSCH

FRANCAIS

ESPAÑOL

POLSKI

ITALIANO

DEFENDER® MICRO 2

ENGLISH

REPLACEMENT PARTS AND ACCESSORIES

The DEFENDER® SERIES consists of a wide range of product variants with coordinated system elements, and covers applications from construction sites to offices.

A selection of frequently used system elements can be found in the respective detailed description of this user's manual.

A complete list of system elements, replacement parts and accessories can be found at <http://www.defender-protects.com>

DEUTSCH

DISPOSAL

All cable protectors in the DEFENDER® SERIES are made of extremely sturdy, non-breakable plastic (polyurethane and thermoplastic polyurethane). Polyurethane is a valuable raw material, 100% recyclable and is not considered hazardous waste, thus it is not subject to any specific disposal requirements. The cable protectors will be accepted either by recycling centres and recycling yards or other landfills and waste incinerators.

FRANCAIS

ESPAÑOL

POLSKI

ITALIANO

LIMITED WARRANTY

This warranty extends to the DEFENDER[®] branded product you purchased from Adam Hall. The statutory warranty rights against the vendor shall not be affected by this warranty. Rather, this warranty gives you additional independent claims against Adam Hall.

With this warranty, Adam Hall ensures that products you have purchased from Adam Hall or Adam Hall partners, under normal use, are free of defects in material or workmanship for a period of 5 years from the date of purchase. The warranty period begins on the date of purchase. In order to assert a claim for warranty service, the proof of date of purchase is provided by the receipt bearing the date of purchase or the date of purchase on the delivery note. You are entitled to warranty service under the conditions and provisions set out in this document, if a repair within the warranty period is required.

This warranty applies only to the original purchaser of the products supplied by Adam Hall and is not transferable to any person to whom the property is transferred by the original purchaser.

Within the warranty period, the defective parts or the product from Adam Hall will be repaired or replaced. Under the terms of this warranty, all the replaced or removed components become the property of Adam Hall.

In the unlikely event that a product acquired from Adam Hall, repeatedly exhibits a defect, Adam Hall may decide, at its discretion, to replace this product with a comparable product of at least the same performance.

Adam Hall does not guarantee that the operation of this product will be uninterrupted or error-free. Adam Hall accepts no responsibility for any damage due to incorrect compliance with the instructions received in the delivery.

This warranty does not extend to:

- wearing parts (eg battery, tubes).
- devices that have had their serial number removed or damaged, or failed as a result of an accident
- inappropriate or abusive use or other external causes
- devices that were not used in accordance with the operating parameters defined in the user documentation shipped with the product
- devices that have been repaired using parts not made or distributed by Adam Hall
- devices that have been serviced, modified or repaired by someone other than Adam Hall or an authorised service partner.

These terms and conditions constitute the complete and exclusive warranty agreement between you and Adam Hall regarding the Adam Hall branded product you have purchased.

This warranty is valid only within Europe. Outside of Europe please contact our official distributors.

ENGLISH

DEUTSCH

FRANCAIS

ESPAÑOL

POLSKI

ITALIANO

LIMITATION OF LIABILITY

If your Adam Hall branded hardware product fails to work as warranted above, your sole and exclusive remedy shall be repair or replacement. Adam Halls' maximum liability under this limited warranty is expressly limited to the lesser of the price you have paid for the product or the cost of repair or replacement of any hardware components that malfunction in conditions of normal use.

Adam Hall is not liable for any damages caused by the product or the failure of the product, including any lost profits or savings or special, incidental, or consequential damages. Adam Hall is not liable for any claim made by a third party or made by you for a third party.

This limitation of liability applies whether damages are sought, or claims are made, under this Limited Warranty or as a tort claim (including negligence and strict product liability), a contract claim, or any other claim. This limitation of liability cannot be waived or amended by any person. This limitation of liability will be effective even if you have advised Adam Hall of an authorized representative of Adam Hall of the possibility of any such damages. This limitation of liability however, will not apply to claims for personal injury.

This Limited Warranty gives you specific legal rights. You may also have other rights that may vary from state to state or from country to country. You are advised to consult applicable state or country laws for a full determination of your rights.

REQUESTING WARRANTY-SERVICE

To request warranty service for the product, contact Adam Hall GmbH, Adam-Hall-Str. 1, 61267 Neu Anspach (Germany) / Email: Info@adamhall.com / +49 (0)6081 / 9419-0 or the Adam Hall authorized reseller from which you purchased the product.

Important

Slight discolouration of material and metallic sheen result from the halogen-free flame retardant additives and the recycled materials. They cannot be considered as a defect.

Printing errors and mistakes, as well as technical or other changes are reserved!

DEFENDER[®] MICRO 2

DEFENDER® MICRO 2

ENGLISH

INHALTSVERZEICHNIS

SICHERHEITSHINWEISE	Seite 13
ALLGEMEINE BESCHREIBUNG	Seite 14
INSTANDHALTUNG UND PFLEGE	Seite 14
AUFBAU	Seite 15
DETAILBESCHREIBUNG DEFENDER® MICRO 2	Seite 16
ERSATZTEILE UND ZUBEHÖR	Seite 18
ENTSORGUNG	Seite 18
HERSTELLERGARANTIE	Seite 19
HAFTUNGSBESCHRÄNKUNG	Seite 20
INANSPRUCHNAHME DER GARANTIE	Seite 20

DEUTSCH

FRANCAIS

ESPAÑOL

POLSKI

ITALIANO

Auch immer aktuell im Internet unter: defender-protects.com

SICHERHEITSHINWEISE

Alle Kabelbrücken der DEFENDER® Serie verfolgen das Ziel, auf dem Boden liegende Leitungen vor Beschädigungen und Besucher sowie Veranstalter vor Verletzungen durch Stolpern zu schützen. Um diese Ziele sicher zu erreichen, sind folgende Sicherheitshinweise zum Einsatz der Kabelbrücken zu beachten:

- Diese Bedienungsanleitung ist Bestandteil des Produktes und muss vor Gebrauch aufmerksam gelesen werden.
- DEFENDER® Kabelbrücken dürfen nur gemäß ihrer jeweils vorgesehenen Einsatzbereiche und Belastungsgrenzen eingesetzt werden. Die gültigen Parameter finden Sie in der Detailbeschreibung der jeweiligen Produktvariante.
- DEFENDER® Kabelbrücken sind für den Einsatz auf festem und ebenem Grund vorgesehen. Die in den Detailbeschreibungen angegebene Belastung wird nur auf ebenem und festem Grund erreicht. Bei unebenen oder gar weichen Untergründen kann die Belastbarkeit stark abnehmen.
- Beim Einsatz von Kabelbrücken auf öffentlichen Straßen, Gehwegen etc. können zusätzliche Kennzeichnungen/ Gefahrenhinweise oder auch Genehmigungen erforderlich sein.
- Verwenden Sie DEFENDER® Kabelbrücken nur mit Original Ersatzteilen und Zubehör.



GEFAHR

Fehlerhafte Isolierung Lebensgefahr durch elektrischen Schlag → Verwenden Sie nur Leitungen, die den vorgeschriebenen Installationsvorschriften hinsichtlich Spannung, Strom, Isolationsmaterial, Belastbarkeit etc. entsprechen.



Vorsicht! Stolpergefahr.

BESONDERS WICHTIG:

- **KEINE Veränderungen am Produkt vornehmen. Modifikationen der DEFENDER® Kabelbrücken verändern die Produkteigenschaften, vermindern die Schutzwirkung und führen zu Garantieverlust.**
- **KEINE Gräben, Schächte, Stufen oder ähnliche Vertiefungen überbrücken.**
- **KEINE Podeste, Gerüste, Traversen und ähnliches auf den Kabelbrücken abstützen.**
- **KEINE starren Gasleitungen in den Kabelbrücken verlegen.**
- **KEINE Kabel mit einer Spannung >500 V in die Kabelbrücken verlegen**
- **Die Kabelkanäle nur max. 70 % bis Deckelunterseite befüllen. Bitte beachten Sie auch die individuellen Spezifikationen bei den einzelnen Kabelbrücken**

Damit der Stolperschutz nicht selbst zu Stolperfalle wird:

- Verbinden Sie die Kabelbrücken zu geschlossenen Linien.
- Prüfen Sie bei jeder Verlegung die Verbinder auf bündigen Sitz.
- Prüfen Sie bei jeder Verlegung die Deckelverschlüsse auf Funktion.
- Achten Sie darauf, dass der Deckelverschluss fest in der Basis einrastet.
- Halten Sie den Scharnierbereich und den Verschluss sauber.
- Entfernen Sie nach Pflege der Scharniere überschüssiges Schmiermittel.

DEFENDER® MICRO 2

ENGLISH

ALLGEMEINE BESCHREIBUNG

Kabelbrücken dienen zum Schutz von nicht permanent installierten, bodenliegenden Leitungen, zum Beispiel bei Messen, Märkten und im Veranstaltungsbereich. Kabelbrücken dienen zum Schutz von Personen durch die Vermeidung von Stolperfallen.

DEUTSCH

Sie haben sich für die DEFENDER®-Serie entschieden und somit die beste Wahl zum Schutz von Leitungen und Personen getroffen. DEFENDER® Kabelbrücken zeichnen sich aus durch:

- TÜV SÜD zertifizierte Sicherheit (MICRO 2-86100, MINI-85200, MIDI 5-85300)
- Patentierte selbstreinigende Scharniere (EU Patent No.: EP1366550)
- Entwicklung und Herstellung in Deutschland
- Brandschutzklasse E nach DIN EN 13501-1
- Strengste Rohstoff- und Produktionskontrollen
- Sehr stabilen, reißfesten und 100% recycelbaren Kunststoff
- Beständig gegen Öl, Benzin und kurzfristigen Kontakt mit Lösungsmitteln
- Einen Arbeitsbereich von ca. -30°C bis +60°C
- Einen Härtebereich von 88 Shore-A ± 4
- Eine Vielfalt von Produktvarianten mit abgestimmten Systemelementen
- Ein breites Einsatzspektrum von Baustellen bis zu Büroräumen

FRANCAIS

ESPAÑOL

INSTANDHALTUNG UND PFLEGE

Alle Kabelbrücken der DEFENDER®-Serie werden aus einem sehr stabilen und reißfestem Kunststoff (Polyurethan) gefertigt. Die Brücken können ohne Probleme, gerne auch unter Zuhilfenahme eines Dampfstrahlreinigers, gesäubert werden. Um immer eine einwandfreie Funktion zu gewährleisten, halten Sie den Scharnierbereich sowie den Verschluss sauber und schmieren Sie Scharnier und Verschluss regelmäßig leicht. Hierzu empfehlen wir Ihnen ein handelsübliches Teflon- oder Silikon-Spray. Reiben Sie überschüssiges Schmiermittel nach der Anwendung ab, um Rutschgefahr vorzubeugen.

POLSKI

ITALIANO

AUFBAU

Die Kabelbrücken der DEFENDER®-Serie sind einfach und sicher aufzubauen. Oberflächen, Ecken und Kanten sind so gestaltet, dass keine Verletzungsgefahr besteht. Die Kabelbrücken mit einem Eigengewicht bis zu 20 kg können von einer Person gefahrlos transportiert werden. Die Kabelbrücken mit Gewichten über 20 kg können von 2 Personen getragen werden.

Jede Kabelbrücke verfügt über Verbinder und entsprechende Aufnahmen, um Kabelbrücken einer Baureihe endlos miteinander zu einer Linie verbinden. Generell sind ausgelegte Linien stabil genug, um ein Übergehen oder Überfahren ohne weiteres zu gewährleisten. Um die jeweils richtige Kabelbrücke für ihren Bedarf zu wählen, entnehmen Sie die Einsatzbereiche und Belastbarkeit der Detailbeschreibung der Produktvarianten.

Bei den Produktvarianten DEFENDER® 3 und ULTRA L 2 sind spezielle Bohrungen zur Bodenverankerung vorgesehen. Wenn durch diese Produktvarianten gebildete Linien erhöhten Anforderungen ausgesetzt sind, sodass die Gefahr besteht, dass sich die Linie im Einsatz verschieben könnte, empfehlen wir Ihnen, die Linie zusätzlich am Boden zu verankern. Beim Einsatz von Kabelbrücken auf öffentlichen Straßen, Gehwegen etc. können zusätzliche Kennzeichnungen/Gefahrenhinweise oder auch Genehmigungen erforderlich sein.

Die in der Detailbeschreibung jeweils angegebene Belastbarkeit wird nur auf festem und ebenem Grund erreicht. Bei unebenen oder gar weichen Untergründen kann die Belastbarkeit stark abnehmen, hier sollten Sie entsprechende Belastungstests vor Inbetriebnahme durchführen. Wir gewährleisten die Belastbarkeit unserer Kabelbrücken nur bei sachgemäßer Anwendung der unmodifizierten Produkte auf festem und ebenem Grund.

Mit DEFENDER® Kabelbrücken können Leitungen (z.B. Wasser/Abwasser) und Kabel im Niederspannungsbereich bis 500V (z.B. Kommunikation/Steuerleitungen/Stromversorgung) geschützt werden. Die Kabelbrücken eignen sich NICHT für starre Gasleitungen.

Beim Einsatz von bruchempfindlichen Kupplungen und Steckern innerhalb der verbundenen Linie ist auf ausreichend Abstand zu den Seitenwänden und zum Deckel zu achten. Jeder Anwender ist verantwortlich über die Art und Weise der Verlegung und welche Leitungen er zum Schutz mit Hilfe der DEFENDER®-Kabelbrücken einsetzt.

Nach dem Verlegen (außer COMPACT und OFFICE) können die Deckel durch Zug nach oben geöffnet werden. Diese rasten in der Endlage selbsttätig ein und bleiben somit bis zum gewollten Schließen eigenständig offen und erleichtern somit das Verlegen Ihrer Leitungen. Nach dem Verlegen der Leitungen schließen Sie die Deckel. Achten Sie hierbei bitte darauf, dass der Deckelverschluss fest in der Basis einrastet. Nur so ist ein ungewolltes Öffnen der Deckel bei einer Belastung zu vermeiden.

ENGLISH

DEUTSCH

FRANCAIS

ESPAÑOL

POLSKI

ITALIANO

DEFENDER® MICRO 2

ENGLISH

DEFENDER® MICRO 2

Für den Einsatz im Innen- wie im Außenbereich, zum Beispiel für Ausstellungen, Messen, Einkaufszentren, Bühnen oder Studios, ist die kompakte DEFENDER® MICRO 2-Kabelbrücke ideal geeignet. Sie besitzt zwei 35 x 30 mm Kabelführungen für Starkstromkabel und Wasserschläuche. Mit 2 Tonnen Belastbarkeit pro 20 x 20 cm Fläche tragen MICRO 2-Kabelbrücken kleinere LKWs, Fahrzeuge, Rollwagen, Fahrräder, Rollstühle und Fußgänger. Die besondere Rutsch- und Trittfestigkeit wird dabei durch die LaserGrip®-Oberfläche mit ihrer speziellen Struktur und dem einzigartigen Design gewährleistet. Extrem bruchsicheres TPU-Material sorgt für die Langlebigkeit der robusten Kabelbrücke.

Noch mehr Sicherheit durch die neue 3D LaserGrip® Oberfläche

Durch das innovative Design der 3D LaserGrip® Oberfläche erhöht sich die Tritt- und Rutschfestigkeit deutlich. Aufgrund der besonderen Formgebung und Oberflächenstruktur wird das Risiko eine ganze Linie von DEFENDER® MICRO 2-Kabelbrücken zu verschieben, bedeutend reduziert, selbst wenn sie von schweren Fahrzeugen überfahren wird.

Kennzeichnen Sie Ihre Kabelbrücken! Sie haben bei uns die Möglichkeit ab einer Bestellmenge von nur 30 Stück je Modell, alle DEFENDER® Kabelbrücken mit Ihrem Firmenlogo zu individualisieren. Die entsprechende Formatvorlage ist oben im Downloadbereich erhältlich. Sprechen Sie uns gerne darauf an.

DEUTSCH

FRANCAIS

ESPAÑOL

POLSKI

ITALIANO

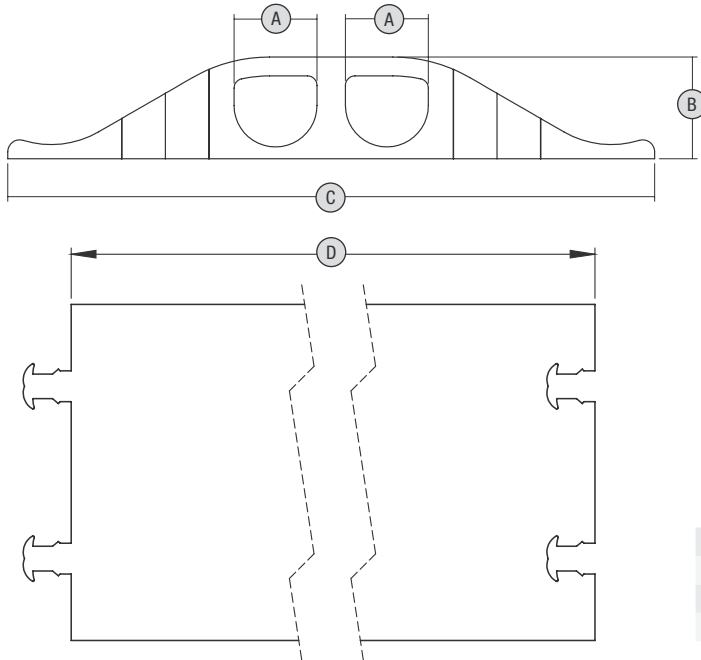
MICRO 2 MICRO 2 BLK	1005 x 273 x 45 mm	Gewicht: 5,2 kg
Belastbarkeit:		
Tonnen (Fläche 20 x 20 cm)	Kanal Füllhöhe	
1,3 t	21 mm	
2,0 t	18 mm	
Einsatzbereich:		
Messen / Gehwege / Marktplätze / Weihnachtsmärkte / Werkstätten / Lagerhallen / Einkaufszentren / Kaufhäuser / etc.		



86100

86100BLK

TECHNISCHE ZEICHNUNG



Zubehör:



86101M
DEFENDER® MICRO END RAMP MALE



86101F
DEFENDER® MICRO END RAMP FEMALE

ENGLISH

DEUTSCH

FRANCAIS

ESPAÑOL

POLSKI

ITALIANO

DEFENDER[®] MICRO 2

ENGLISH

ERSATZTEILE UND ZUBEHÖR

Die DEFENDER[®]-Serie besteht aus einer Vielfalt von Produktvarianten mit abgestimmten Systemelementen und deckt Einsatzbereiche von Baustellen bis zu Büroräumen ab.

Eine Auswahl häufig genutzter Systemelemente finden Sie in der jeweiligen Detailbeschreibung dieser Bedienungsanleitung.

Eine vollständige Liste von Systemelementen, Ersatzteilen und Zubehör finden Sie unter <http://www.defender-protects.com>

DEUTSCH

ENTSORGUNG

Alle Kabelbrücken der DEFENDER[®]-Serie werden aus einem sehr stabilen und reißfestem Kunststoff (Polyurethan und Thermoplastisches Polyurethan) gefertigt. Polyurethan ist ein wertvoller Rohstoff, zu 100% recyclingfähig und zählt nicht zu den gefährlichen Abfällen, somit unterliegt die Entsorgung keinen besonderen Anforderungen. Entgegengenommen werden die Kabelbrücken entweder von Wertstoffhöfen beziehungsweise Recyclhöfen oder anderen Mülldeponien und Müllverbrennungsanlagen.

FRANCAIS

ESPAÑOL

POLSKI

ITALIANO

HERSTELLERGARANTIE

Diese Garantie erstreckt sich auf das von Ihnen erworbene Adam Hall Produkt der Marke DEFENDER®. Die gesetzlichen Gewährleistungsrechte gegenüber dem Verkäufer werden von dieser Garantie nicht berührt. Vielmehr begründet diese Garantie zusätzliche selbständige Ansprüche gegenüber Adam Hall.

Mit dieser Garantie stellt Adam Hall sicher, dass das von Ihnen bei Adam Hall oder einem Adam Hall Partner erworbene Produkt, bei normalem Gebrauch während des Zeitraums von 5 Jahren ab Kaufdatum frei von Material- oder Verarbeitungsfehlern ist. Der Garantiezeitraum beginnt mit dem Datum des Kaufs. Der Geltendmachung eines Anspruchs auf Garantieleistungen erforderliche Nachweis des Kaufdatums, erfolgt durch die mit dem Kaufdatum versehene Quittung oder den mit dem Kaufdatum versehenen Lieferschein. Sie haben Anspruch auf den Garantieservice zu den in diesem Dokument aufgeführten Bedingungen und Bestimmungen, falls eine Reparatur innerhalb des Garantiezeitraums erforderlich ist.

Diese Garantie gilt nur für den ursprünglichen Käufer des von Adam Hall vertriebenen Produkts und ist nicht an Personen übertragbar, denen vom ursprünglichen Käufer das Eigentum am Adam Hall Produkt übertragen wird. Innerhalb des Garantiezeitraums werden die fehlerhaften Komponenten oder das Produkt von Adam Hall repariert oder ersetzt. Alle im Rahmen dieser Garantie ausgetauschten bzw. entfernten Komponenten gehen in das Eigentum von Adam Hall über.

In dem unwahrscheinlichen Fall, dass bei dem von Ihnen erworbenen Adam Hall Produkt ein Fehler wiederholt auftritt, kann Adam Hall nach eigenem Ermessen entscheiden, Ihnen dieses Produkt durch ein vergleichbares Produkt mit mindestens derselben Leistung zu ersetzen.

Adam Hall übernimmt keine Garantie für einen störungs- oder fehlerfreien Betrieb dieses Produkts. Adam Hall übernimmt keine Verantwortung, für Schäden die auf eine inkorrekte Befolgung der im Lieferumfang erhaltenen Anweisungen zurückzuführen sind.

Diese Garantie erstreckt sich nicht auf:

- Verschleißteile (z.B. Akkumulator, Röhren).
- Geräte deren Seriennummer entfernt wurde oder die beschädigt oder fehlerhaft wurden als Folge eines Unfalls
- nicht sachgerechter oder missbräuchlicher Verwendung oder anderer äußerer Ursachen
- Geräte die nicht entsprechend den Betriebsparametern betrieben wurden, die in den im Lieferumfang des Produkts enthaltenen Benutzerunterlagen festgelegt sind
- Geräte die aufgrund der Verwendung nicht von Adam Hall hergestellter oder vertriebener Teile repariert wurden
- Geräte die durch jemand anderen als Adam Hall oder durch einen autorisierten Servicepartner gewartet, geändert oder repariert wurden.

Diese Bestimmungen und Bedingungen stellen die vollständige und ausschließliche Garantievereinbarung zwischen Ihnen und Adam Hall für das von Ihnen erworbene Adam Hall Produkt dar.

Diese Garantie ist nur innerhalb von Europa gültig. Außerhalb von Europa wenden Sie sich bitte an unsere offiziellen Vertriebspartner.

ENGLISH

DEUTSCH

FRANCAIS

ESPAÑOL

POLSKI

ITALIANO

HAFTUNGSBESCHRÄNKUNG

Falls an Hardware-Produkten von Adam Hall innerhalb der Garantiezeit Material- oder Verarbeitungsfehler (gemäß der Garantieerklärung oben) auftreten, besteht Ihr alleiniger und ausschließlicher Anspruch aus dieser Garantie in der Reparatur oder dem Austausch des Geräts. Die maximale Haftung der Firma Adam Hall ist entsprechend dieser Garantie ausdrücklich auf den Kaufpreis oder die Kosten für eine Reparatur oder Ersatz – und zwar den jeweils niedrigeren Betrag – der bei üblichem Gebrauch fehlerhafter Hardware-Komponenten begrenzt.

Adam Hall ist nicht haftbar für jegliche durch das Produkt oder das Versagen des Produkts verursachte Schäden, einschließlich Gewinneinbußen und unterbliebener Einsparungen sowie besonderer, indirekter oder Folgeschäden. Des Weiteren ist Adam Hall nicht haftbar gegenüber Rechtsansprüchen Dritter oder durch Sie im Namen Dritter angemeldeten Forderungen.

Diese Haftungsbeschränkung gilt unabhängig davon, ob Schäden gerichtlich verfolgt oder Schadenersatzansprüche im Rahmen dieser Garantie oder aufgrund unerlaubter Handlungen (einschließlich Fahrlässigkeit und Gefährdungshaftung) oder aufgrund vertraglicher oder sonstiger Ansprüche gestellt werden, und kann von niemandem aufgehoben oder verändert werden. Diese Haftungsbeschränkung ist auch dann gültig, wenn Sie die Firma Adam Hall oder einen autorisierten Vertreter von Adam Hall auf die Möglichkeit solcher Schäden aufmerksam gemacht haben, nicht jedoch bei Schadenersatzansprüchen in Zusammenhang mit Personenschäden.

Diese Herstellergarantie räumt Ihnen bestimmte Rechte ein; je nach Gerichtsbarkeit (Staat oder Land) stehen Ihnen möglicherweise weitere Ansprüche zu. Es ist ratsam, in solchen Fällen die entsprechenden Gesetze heranzuziehen, um Ihre Rechte umfassend zu ermitteln.

INANSPRUCHNAHME DER GARANTIE

Wenden Sie sich im Garantiefall direkt an Adam Hall GmbH, Adam-Hall-Str. 1, 61267 Neu Anspach, E-Mail: Info@adamhall.com, Tel. +49 (0)6081 / 9419-0 oder den von Adam Hall autorisierten Händler, bei dem Sie das Produkt erworben haben.

Wichtig

Leichte Materialverfärbungen und metallischer Glanz resultieren aus den halogenfreien flammhemmenden Zusätzen und den recycelten Materialien. Sie können nicht als Mangel angesehen werden.

Druckfehler und Irrtümer, sowie technische oder sonstige Änderungen sind vorbehalten!

DEFENDER[®] MICRO 2

ENGLISH

DEUTSCH

FRANCAIS

ESPAÑOL

POLSKI

ITALIANO

DEFENDER® MICRO 2

ENGLISH

TABLE DES MATIÈRES

INSTRUCTIONS DE SÉCURITÉ	Page 23
DESCRIPTION GLOBALE	Page 24
ENTRETIEN ET NETTOYAGE	Page 24
MONTAGE	Page 25
DESCRIPTION DÉTAILLÉE DEFENDER® MICRO 2	Page 26
PIÈCES DE RECHANGE ET ACCESSOIRES	Page 28
MISE AU REBUT	Page 28
GARANTIE LIMITÉE	Page 29
LIMITATION DE RESPONSABILITÉ	Page 30
FAIRE FONCTIONNER LA GARANTIE	Page 30

DEUTSCH

FRANCAIS

ESPAÑOL

POLSKI

ITALIANO

Pour la version la plus à jour de ce Manuel sur Internet : defender-protects.com

INSTRUCTIONS DE SÉCURITÉ

Tous les passages de câbles de la Série DEFENDER[®] sont conçus pour protéger les câbles et liaisons posés sur le sol des dommages par piétinement, et d'éviter au public et aux techniciens toute blessure suite à un trébuchement. Pour atteindre ces objectifs, veuillez respecter ces instructions de sécurité lors de la mise en œuvre des passages de câbles :

- Ce Manuel Utilisateur constitue le complément du produit ; il doit être lu attentivement avant utilisation.
- Les passages de câbles DEFENDER[®] ne doivent être utilisés que dans leur domaine de validité, dans les limites de charge prescrites. Vous trouverez les valeurs correspondantes dans la description détaillée de chaque variante produit.
- Les passages de câbles DEFENDER[®] sont conçus pour une utilisation sur un sol ferme et régulier. Les valeurs de charge données dans les descriptions détaillées ne sont valables que sur un sol ferme et régulier. Elles sont souvent bien plus faibles sur un sol mou ou irrégulier.
- Lors de l'utilisation des passages de câbles sur des rues ou chemins ouverts à la circulation, nous vous recommandons de prévoir des dispositifs de signalisation ou d'avertissement, et de vérifier les autorisations nécessaires.
- N'utilisez les passages de câbles DEFENDER[®] qu'avec des pièces de rechange et accessoires d'origine.



DANGER

Isolation défectueuse : danger de mort par électrocution → Utiliser uniquement des câbles conformes aux prescriptions d'installation relatives à la tension, au courant, au matériau d'isolation, à la capacité de charge, etc.



Attention ! Risque de trébuchement.

PARTICULIÈREMENT IMPORTANT :

- **N'apporter AUCUNE modification au produit. Les modifications aux passages de câbles DEFENDER[®] altèrent les propriétés du produit, réduisent l'efficacité de la protection et annulent la garantie.**
- **NE PAS franchir de fossé, canal, marche ou cavité similaire.**
- **NE PAS poser d'estrade, tréteaux, structures métalliques ou similaire sur les passages de câbles.**
- **NE PAS faire passer de conduite de gaz rigide dans les passages de câbles.**
- **NE PAS poser de câble avec une tension > 500 V dans les passages de câbles**
- **Remplir les canaux pour câbles jusqu'à un maximum de 70 % de la hauteur sous couvercle**

Afin que la protection contre le trébuchement ne devienne pas elle-même source d'accident :

- Assemblez les segments de passage de câbles en une ligne bien fermée.
- Vérifiez la solidité de l'assemblage lors de la pose de chaque segment.
- Vérifiez l'efficacité de la fermeture du couvercle lors de la pose de chaque segment.
- Vérifiez que la fermeture du couvercle est bien enclenchée dans la base.
- Maintenez propres les zones de la charnière et de l'assemblage.
- Après entretien de la charnière, nettoyez les éventuels produits en excès.

DEFENDER[®] MICRO 2

ENGLISH

DESCRIPTION GLOBALE

Les passages de câbles servent à la protection de câbles passant sur le sol dans le cadre d'installations temporaires : par exemple, lors de salons commerciaux, de marchés, ou en sonorisation. Les passages de câbles assurent la protection des personnes contre tout risque de trébuchement.

Vous vous êtes décidé pour la Série DEFENDER[®] : c'est le meilleur choix pour protéger les câbles et les personnes. Les passages de câbles DEFENDER[®] se distinguent par les aspects suivants :

- Sécurité TÜV SÜD certifiée (MICRO 2-86100, MINI-85200, MIDI 5-85300)
- Charnière auto-nettoyante brevetée (brevet européen n° EP1366550)
- Développement et fabrication en Allemagne
- Classe de protection contre l'incendie E selon la norme DIN EN 13501-1
- Contrôles renforcés au niveau des matériaux de base et de la fabrication
- Plastique très solide, résistant aux déchirures, 100% recyclable
- Résiste à l'huile, aux acides, à l'essence
- Température d'utilisation entre -30°C et +60°C
- Dureté 88 Shore-A ± 4
- Nombreuses variantes disponibles, éléments système adaptés selon l'utilisation
- Nombreuses applications, des chantiers aux espaces de bureaux

DEUTSCH

FRANCAIS

ESPAÑOL

ENTRETIEN ET NETTOYAGE

Tous les passages de câbles de la Série DEFENDER[®] sont fabriqués avec un plastique très solide et résistant aux déchirures. Les éléments se nettoient facilement, par exemple sous jet d'eau haute pression. Pour garantir un fonctionnement impeccable en toute circonstance, maintenez propres la charnière et la fermeture, et lubrifiez-les légèrement à intervalles réguliers. Nous vous recommandons pour ce faire d'utiliser du Teflon ou du silicone en bombe. Nettoyez le lubrifiant en excès après utilisation, afin d'éviter tout risque de glissade.

POLSKI

ITALIANO

MONTAGE

Les passages de câbles de la Série DEFENDER® sont d'un montage facile et sûr. Les surfaces, coins et bords sont conçus de façon à éviter toute blessure. Les passages de câbles d'un poids allant jusqu'à 20 kg peuvent être transportés sans danger par une seule personne. Les passages de câbles d'un poids supérieur à 20 kg peuvent être transportés par deux personnes.

Chaque passage de câble possède un élément de connexion et l'encoche correspondante, ce qui permet d'en raccorder entre eux autant que désiré. En général, ces assemblages linéaires sont suffisamment solides pour garantir un passage à pied ou en voiture sans autre accessoire. Afin de sélectionner le passage de câble le plus adapté à votre cas, vérifiez les domaines d'utilisation et les valeurs de charge données dans les caractéristiques détaillées de la variante qui vous intéresse.

Dans le cas des variantes DEFENDER® 3 et ULTRA L 2, les éléments sont munis de trous spécifiques pour ancrage au sol. Si vous en demandez davantage que prévu à vos passages de câble, au point de menacer l'interliaison des éléments, nous vous recommandons de les ancrer au sol. Lors de l'utilisation des passages de câbles sur des rues ou chemins ouverts à la circulation, nous vous recommandons de prévoir des dispositifs de signalisation ou d'avertissement, et de vérifier les autorisations nécessaires.

Les chiffres que vous trouverez dans les descriptions détaillées correspondent à une utilisation sur sol ferme et régulier. Elles sont bien plus faibles sur un sol mou ou irrégulier. Nous vous conseillons de mener vos propres essais avant mise en service. Nous garantissons la charge supportée par nos passages de câbles uniquement lors d'une utilisation appropriée du produit, non modifié, sur un sol ferme et régulier.

Les passages de câbles DEFENDER® permettent de protéger des tuyaux (eau, eaux usées...) et des câbles transportant une tension maximale de 500 V (câbles réseau, audio, intercom, signaux de contrôle, secteur). Les passages de câble ne CONVIENNENT PAS aux conduites de gaz rigides.

Si vous utilisez des coupleurs et des connecteurs à l'intérieur des passages de câbles, nous vous recommandons de veiller à laisser une certaine distance par rapport aux parois latérales et au couvercle. Chaque utilisateur est responsable de les modalités de déploiement et d'installation, ainsi que des liaisons qu'il désire protéger via les passages de câble DEFENDER®.

Après la pose, le couvercle peut être ouvert en le tirant vers le haut (sauf variantes COMPACT et OFFICE). Le couvercle s'enclenche de lui-même en position ouverte et reste en place, ce qui facilite le passage des câbles et liaisons. Une fois tous les câbles et liaisons passés, refermez le couvercle. Vérifiez alors que la fermeture du couvercle s'enclenche bien dans la base. On évite ainsi tout risque d'ouverture inopinée du couvercle lors du passage d'une charge.

ENGLISH

DEUTSCH

FRANCAIS

ESPAÑOL

POLSKI

ITALIANO

DEFENDER® MICRO 2

ENGLISH

DEFENDER® MICRO 2

Le passage de câbles compact DEFENDER® MICRO 2 convient parfaitement à une utilisation à l'intérieur et à l'extérieur, par exemple pour des expositions, des salons, des centres commerciaux, des scènes ou des studios. Il présente deux passages de câbles de 35 x 30 mm pour câbles haute tension et tuyaux d'eau. Avec une capacité de charge de 2 tonnes par surface de 20 x 20 cm, les passages de câbles MICRO 2 supportent de petits camions, des véhicules, chariots, bicyclettes, fauteuils roulants et piétons. L'excellente capacité antidérapante et la stabilité est assurée par le revêtement LaserGrip® grâce à sa structure spéciale et son design unique. Le TPU tout à fait incassable garantit la longévité des passages de câbles solides.

Encore plus de sécurité grâce à la nouvelle surface 3D LaserGrip®.

La stabilité et la capacité antidérapante augmentent nettement grâce au design innovant du revêtement 3D LaserGrip®. Grâce à la forme particulière et à la nouvelle structure de surface, le risque de faire glisser une ligne complète de passages de câbles DEFENDER® MICRO 2 est considérablement réduit, même lorsque des véhicules lourds les franchissent.

Personnalisez vos passages de câbles ! À partir d'une commande de seulement 30 pièces du même modèle, vous avez la possibilité de personnaliser vos passages de câbles DEFENDER® avec le logo de votre société. Le modèle de format correspondant est disponible ci-dessus dans l'onglet Téléchargements. N'hésitez pas à nous contacter.

DEUTSCH

FRANCAIS

ESPAÑOL

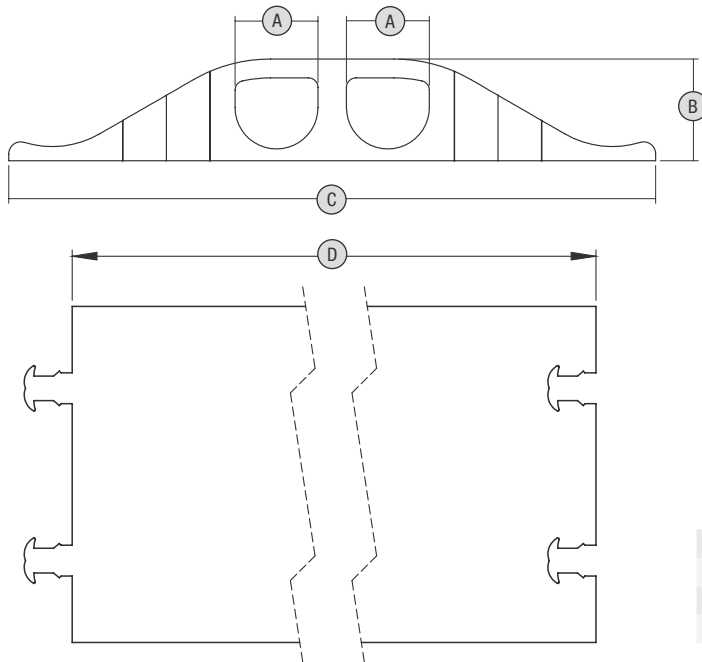
POLSKI

ITALIANO

MICRO 2 MICRO 2 BLK	1005 x 273 x 45 mm	Poids : 5,2 kg
Capacité de charge :		
Tonnes (surface 20 x 20 cm)	Hauteur de remplissage du canal	
1,3 t	21 mm	
2,0 t	18 mm	
Domaine d'utilisation : Foires / voies piétonnes / marchés / marchés de Noël / ateliers / entrepôts / centres commerciaux / grands magasins / etc.		



PLAN TECHNIQUE



Accessoires :



86101M
DEFENDER® MICRO END RAMP MALE



86101F
DEFENDER® MICRO END RAMP FEMALE

ENGLISH

DEUTSCH

FRANCAIS

ESPAÑOL

POLSKI

ITALIANO

PIÈCES DE RECHANGE ET ACCESSOIRES

La Série DEFENDER[®] comprend un grand nombre de variantes, chacune possédant des éléments de système spécifiques, afin de couvrir tous les domaines d'utilisation, des chantiers aux espaces de bureau.

Vous trouverez dans ce Manuel Utilisateur une sélection des éléments système fréquemment utilisés dans la section Description détaillée de chacun.

Pour une liste complète de tous les éléments système, pièces de rechange et accessoires, reportez-vous à la page Web <http://www.defender-protects.com>

MISE AU REBUT

Tous les passages de câble de la Série DEFENDER[®] sont fabriqués avec un plastique très solide et résistant aux déchirures (polyuréthane et polyuréthane thermoplastique). Le polyuréthane est un plastique précieux, recyclable à 100% et non classé parmi les déchets dangereux ; sa mise au rebut n'est donc soumise à aucune obligation particulière. Les passages de câble usés sont donc acceptés dans les points de collecte de matériaux recyclables, mais aussi en déchetterie ou en incinérateur.

GARANTIE LIMITÉE

Cette garantie s'applique au produit Adam Hall de marque DEFENDER® que vous avez acheté. Les droits de garantie légaux à l'égard du vendeur ne sont pas remplacés par cette garantie. Cette garantie confère au contraire des droits supplémentaires distincts à l'égard d'Adam Hall.

Par cette garantie, Adam Hall assure une garantie de 5 ans à partir de la date d'achat du produit (auprès d'Adam Hall ou d'un de ses partenaires) contre tout défaut de pièce ou de fabrication, dans le cadre d'une utilisation normale. La période de garantie court à partir de la date d'achat. Pour faire valoir vos droits à la garantie, il faut justifier de la date d'achat, soit par une facture datée, soit par un bon de livraison daté. Vous êtes éligible aux droits relatifs à cette garantie, selon les termes et conditions mentionnés dans ce document, au cas où une réparation devrait intervenir dans le cadre de la garantie.

Cette garantie n'est valable que pour l'acheteur initial du produit Adam Hall ; elle n'est pas transférable à l'acheteur ultérieur du produit.

Tout au long de la période couverte par la garantie, les composants ou le produit défectueux Adam Hall seront réparés ou remplacés gratuitement. Tous les composants échangés dans le cadre de cette garantie restent la propriété de Adam Hall.

Dans le cas improbable où le produit Adam Hall que vous avez acheté présenterait une défaillance répétée Adam Hall peut décider, de son propre chef, de remplacer ce produit par un autre, identique ou comparable (au moins de la même puissance).

Adam Hall ne garantit pas que l'utilisation de ce produit ne sera sujette à aucune interruption ni défaillance. Adam Hall ne peut être tenu pour responsable de dommages consécutifs à une mauvaise observation des instructions d'utilisation contenues dans le manuel utilisateur.

Cette garantie ne s'applique pas dans les cas suivants :

- pièces d'usure (par exemple, accumulateur, lampe...)
 - appareils dont le numéro de série a été supprimé, falsifié ou endommagé suite à un accident
 - utilisation non appropriée ou abusive ou autres causes extérieures
 - appareils utilisés non conformément aux paramètres d'utilisation normaux, mentionnés dans le manuel d'utilisation livré avec l'appareil.
 - appareils utilisés non conformément aux paramètres d'utilisation normaux, mentionnés dans le manuel d'utilisation livré avec l'appareil.
 - appareils modifiés ou réparés par un tiers autre qu'Adam Hall ou une structure de maintenance autorisée.
- Ces termes et conditions constituent l'accord de garantie complet et exclusif entre vous et Adam Hall, relativement au produit de marque Adam Hall que vous avez acheté.

Cette garantie ne s'applique qu'en Europe. Hors Europe, veuillez vous adresser à notre représentant commercial officiel.

ENGLISH

DEUTSCH

FRANCAIS

ESPAÑOL

POLSKI

ITALIANO

LIMITATION DE RESPONSABILITÉ

Si votre produit Adam Hall devait ne pas fonctionner correctement, votre seul et unique dédommagement sera la réparation du produit ou son remplacement. La responsabilité maximale imputable à Adam Hall dans le cadre de cette garantie limitée se limite au montant le plus bas. Ce montant découle du prix d'achat du produit ou bien du coût de la réparation ou des pièces de remplacement qui sont tombés en panne dans des conditions d'utilisation normales.

Adam Hall n'est pas responsable des dommages causés par le produit ou par un dysfonctionnement du produit, y compris les pertes de profits, les pertes d'épargne, et les conséquences inhérentes à ces dommages. La responsabilité d'Adam Hall ne peut pas être engagée dans le cas d'une réclamation par un tiers ou dans le cas d'une réclamation émanant de l'acheteur initial pour le compte d'un tiers.

Cette limitation de responsabilité est valable indépendamment du fait que les dommages commis fassent l'objet de poursuites judiciaires, qu'ils fassent l'objet de réclamation (y compris pour négligence), de réclamations contractuelles ou tout autre réclamation. Cette limitation de responsabilité ne peut être amendée ou dérogée par quiconque. Elle est effective même si vous aviez avisé Adam Hall ou l'un de ses représentants officiels de la possibilité d'un tel dommage. Toutefois cette limitation de responsabilité est sans effet dans le cas de réclamations pour dommages corporels.

Cette garantie limitée vous confère des droits légaux spécifiques. Selon votre pays, ou l'État dans lequel vous vous trouvez, il est possible que vous disposiez d'autres droits. Veuillez consulter les lois applicables dans votre pays ou votre État pour déterminer l'ensemble de vos droits.

FAIRE FONCTIONNER LA GARANTIE

Pour faire fonctionner la garantie sur ce produit, veuillez contacter Adam Hall GmbH, Adam-Hall-Str. 1, 61267 Neu Anspach (Allemagne) / E-Mail Info@adamhall.com / +49 (0)6081 / 9419-0 ou le revendeur agréé auquel vous avez acheté le produit.

Important

Une légère décoloration du matériau et des reflets métalliques sont dus aux additifs ignifuges sans halogène et aux matériaux recyclés. Ils ne peuvent être considérés comme un défaut.

Sous réserve de fautes d'impression et d'erreurs, ainsi que de modifications techniques ou autres !

DEFENDER[®] MICRO 2

ENGLISH

DEUTSCH

FRANCAIS

ESPAÑOL

POLSKI

ITALIANO

DEFENDER® MICRO 2

ENGLISH

TABLA DE CONTENIDO

INSTRUCCIONES DE SEGURIDAD	Página 33
DESCRIPCIÓN GENERAL	Página 34
CUIDADO Y MANTENIMIENTO	Página 34
MONTAJE	Página 35
DESCRIPCIÓN DETALLADA DEL DEFENDER® MICRO 2	Página 36
REPUESTOS Y ACCESORIOS	Página 38
ELIMINACIÓN DEL PRODUCTO	Página 38
GARANTÍA LIMITADA	Página 39
LIMITACIÓN DE RESPONSABILIDAD	Página 40
APLICACIÓN DE LA GARANTÍA	Página 40

DEUTSCH

FRANCAIS

ESPAÑOL

POLSKI

ITALIANO

Disponible en Internet en la página: defender-protects.com

INSTRUCCIONES DE SEGURIDAD

Todos los pasacables de la serie DEFENDER® tienen por objeto proteger los cables tendidos en el suelo y evitar los riesgos de tropiezo para los visitantes y organizadores de eventos. Para garantizar que se cumple este objetivo, tenga en cuenta las siguientes instrucciones de seguridad al utilizar los pasacables:

- Antes de utilizar el producto, lea detenidamente el manual de usuario que lo acompaña.
- Los pasacables DEFENDER® deben utilizarse exclusivamente según la aplicación y la capacidad de carga especificados. Consulte los parámetros válidos en la descripción detallada de cada producto.
- Los pasacables DEFENDER® están diseñados para utilizarse en terreno firme y nivelado. La capacidad de carga especificada en la descripción detallada se alcanza sólo cuando el terreno es firme y está nivelado. En superficies irregulares o incluso deformables, la capacidad de carga puede disminuir considerablemente.
- Cuando se utilicen los protectores de cable en vías públicas, aceras, etc., puede que sea necesario instalar señales y advertencias adicionales o pedir permisos especiales.
- Utilice los pasacables DEFENDER® únicamente con recambios y accesorios originales.



PELIGRO

Peligro de muerte por descarga eléctrica en caso de aislamiento defectuoso → Utilice solo cables que cumplan las normas de instalación prescritas en cuanto a tensión, corriente, material aislante, capacidad de carga, etc.



¡Cuidado! Riesgo de tropiezo.

ESPECIALMENTE IMPORTANTE:

- **NO hacer modificaciones en el producto. Las modificaciones de los pasacables DEFENDER® alteran las características del producto, reducen la eficacia de la protección y conllevan la anulación de la garantía.**
- **NO utilizarlos como puente sobre zanjas, fosos, peldaños o huecos similares.**
- **NO apoyar tarimas, andamios, travesaños o elementos similares sobre los pasacables.**
- **NO tender conductos rígidos de gas por el interior de los pasacables.**
- **NO tender cables con una tensión >500 V en los pasacables.**
- **Los canales para cables solo se deben ocupar un máximo del 70 % hasta la parte inferior de la tapa**

Para evitar que el protector de cables suponga un riesgo de tropiezo en sí mismo:

- Acople los pasacables formando una línea cerrada.
- En cada instalación compruebe el ajuste perfecto de los acoplamientos.
- En cada instalación compruebe el buen funcionamiento de la tapa.
- Asegúrese de que al cerrar la tapa, esta quede perfectamente encajada en la base.
- Mantenga limpia la zona de las bisagras y del cierre.
- Retire el exceso de lubricante después de realizar el mantenimiento de las bisagras.

ENGLISH

DEUTSCH

FRANCAIS

ESPAÑOL

POLSKI

ITALIANO

DEFENDER® MICRO 2

ENGLISH

DESCRIPCIÓN GENERAL

Los pasacables se utilizan para proteger los cables tendidos en el suelo de manera provisional como, por ejemplo, en ferias, mercados y en el sector de eventos. Además, los pasacables protegen a los transeúntes ya que evitan el riesgo de tropezos.

DEUTSCH

La adquisición de un producto de la serie DEFENDER® es la mejor opción para proteger los cables y la seguridad de las personas. Características de los pasacables DEFENDER:

- Seguridad certificada por TÜV SÜD (MICRO 2-86100, MINI-85200, MIDI 5-85300)
- Bisagra autolimpiable patentada (patente UE N.º: EP1366550)
- Desarrollados y fabricados en Alemania
- Clase de protección contra el fuego E según la norma DIN EN 13501-1
- Estrictos controles de los materiales y la producción
- Fabricados con plástico muy robusto, resistente a la rotura y 100% reciclable
- Resistentes a aceites, ácidos y petróleo
- El rango de temperatura operativa es de -30 °C a $+60\text{ °C}$ aproximadamente
- El rango de dureza es de 88 Shore A \pm 4
- Amplia gama de modelos con sus correspondientes componentes
- Amplio rango de aplicaciones, desde obras de construcción hasta oficinas

FRANCAIS

ESPAÑOL

CUIDADO Y MANTENIMIENTO

Todos los pasacables de la serie DEFENDER® están fabricados con plástico (poliuretano) muy duro y resistente a la rotura. Se pueden limpiar sin problema, incluso con un limpiador por chorro de vapor. Para asegurar un funcionamiento adecuado en todo momento, las zonas de bisagra y cierre deberán mantenerse siempre limpias y se lubricarán periódicamente las bisagras y los cierres. Para ello, se recomienda utilizar un spray comercial de teflón o de silicona. Limpie el exceso de lubricante después de cada uso para evitar cualquier posible accidente por deslizamiento.

POLSKI

ITALIANO

MONTAJE

Los pasacables de la serie DEFENDER® se montan de manera fácil y segura. La superficie, los laterales y los bordes están diseñados para evitar lesiones personales. Los pasacables con un peso inferior a 20 kg pueden ser transportados con seguridad por una sola persona. Los pasacables con un peso superior a 20 kg pueden ser transportados con seguridad por 2 personas.

Cada pasacables se suministra con sus correspondientes piezas de unión y de sujeción, lo que permite acoplar entre sí varios protectores de cable. En general, las líneas son lo suficientemente estables como para soportar el paso de peatones y vehículos. Para elegir el protector de cable adecuado para sus necesidades, consulte la aplicación y la capacidad de carga en la descripción detallada de cada producto.

Los modelos DEFENDER® 3 y ULTRA L 2 están provistos de orificios especiales para el anclaje en el suelo. En caso de que las líneas formadas con estos dos modelos de pasacables deban soportar mayores cargas, se recomienda anclar las líneas al suelo para evitar que puedan desalinearse. Cuando se utilicen los protectores de cable en vías públicas, aceras, etc., puede que sea necesario instalar señales y advertencias adicionales o pedir permisos especiales.

La capacidad de carga especificada en la descripción detallada se alcanza sólo cuando el terreno es firme y está nivelado. En superficies irregulares o incluso deformables, donde la capacidad de carga puede disminuir considerablemente, deberán llevarse a cabo previamente unas pruebas de resistencia. Garantizamos la capacidad de carga de nuestros protectores de cable, siempre que se utilicen de manera apropiada los productos sin modificar en terreno firme y nivelado.

Con los pasacables DEFENDER® se puede proteger mangueras (por ejemplo, de agua o desagües) y cables de baja tensión de hasta 500 V (por ejemplo, cables de comunicación, de control o eléctricos). Los pasacables no son adecuados para las tuberías rígidas de gas.

Cuando se alojen acoplamientos o conectores delicados dentro de líneas, asegúrese de que la distancia que los separa de los laterales y la tapa sea suficiente. El usuario es responsable del método empleado para realizar el tendido de los cables y de la clase de cable que desea proteger utilizando los pasacables DEFENDER®.

Una vez instalado el pasacables, se podrán abrir las tapas abisagradas (excepto en los modelos COMPACT y OFFICE). Estas tapas encajan automáticamente en su posición final y pueden abrirse de forma independiente para instalar los cables en el interior, facilitando así su colocación. Después de colocar los cables, cierre la tapa. Asegúrese de que al cerrar la tapa, ésta quede perfectamente encajada en la base. De este modo, se evita la apertura accidental de la tapa durante el paso de una carga.

ENGLISH

DEUTSCH

FRANCAIS

ESPAÑOL

POLSKI

ITALIANO

DEFENDER® MICRO 2

ENGLISH

DEFENDER® MICRO 2

Para uso en interiores y exteriores, el pasacables compacto DEFENDER® MICRO 2 resulta ideal para, por ejemplo, exposiciones, ferias, centros comerciales, escenarios o estudios. Dispone de dos guías de cableado de 35 x 30 mm cada una para cables de alta tensión y conductos de agua. Con su capacidad de carga de 2 toneladas por superficie de 20 x 20 cm, los pasacables MICRO 2 soportan el paso de camiones pequeños, coches, carros, bicicletas, sillas de ruedas y peatones. La estructura especial y el diseño único de la superficie LaserGrip® garantizan la especial resistencia a las pisadas y la capacidad antideslizante. El material de TPU irrompible asegura la durabilidad de estos robustos pasacables.

Seguridad aún mayor con la nueva superficie 3D LaserGrip®

El innovador diseño de la superficie 3D LaserGrip® aumenta considerablemente la resistencia a las pisadas y la capacidad antideslizante. Gracias a la forma especial y a la estructura de la superficie, se reduce considerablemente el riesgo de que se disloque toda una línea de pasacables DEFENDER® MICRO 2, incluso cuando pasan vehículos pesados sobre ellos.

Personalice sus pasacables. Le ofrecemos la posibilidad de personalizar todos los pasacables DEFENDER® con el logotipo de su empresa para pedidos a partir de 30 unidades de cada modelo. La correspondiente plantilla de formato para el logotipo se encuentra arriba en la sección de descargas. No dude en contactar con nosotros si tiene alguna pregunta al respecto.

DEUTSCH

FRANCAIS

ESPAÑOL

MICRO 2 MICRO 2 BLK	1005 x 273 x 45 mm	Peso: 5,2 kg
Capacidad de carga:		
Toneladas (superficie de 20 x 20 cm)	Altura de llenado del canal	
1,3 t	21 mm	
2,0 t	18 mm	
Ámbito de uso: ferias / aceras / plazas / mercados de Navidad / talleres / almacenes / centros comerciales / grandes almacenes / etc.		

POLSKI

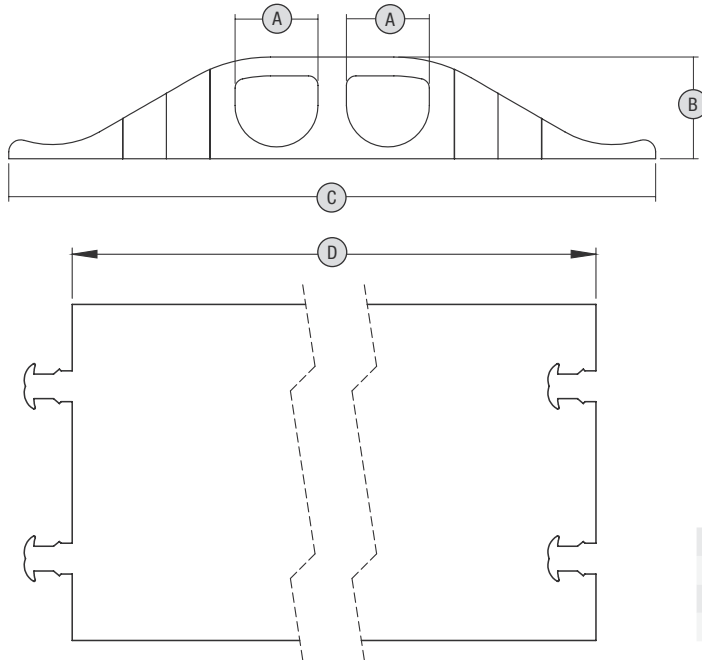
ITALIANO



86100

86100BLK

DIBUJO TÉCNICO



A	35 mm / 1.4"
B	45 mm / 1.8"
C	273 mm / 10.7"
D	1005 mm / 39.6"

Accesorios:



86101M
DEFENDER® MICRO END RAMP MALE



86101F
DEFENDER® MICRO END RAMP FEMALE

ENGLISH

DEUTSCH

FRANCAIS

ESPAÑOL

POLSKI

ITALIANO

DEFENDER® MICRO 2

ENGLISH

REPUESTOS Y ACCESORIOS

La serie DEFENDER® incluye diversos modelos con sus correspondientes componentes y abarca un amplio rango de aplicaciones, desde obras de construcción hasta oficinas.

Encontrará una selección de los componentes más comunes en las descripciones detalladas de este manual.

Consulte la lista completa de componentes, repuestos y accesorios en <http://www.defender-protects.com>

DEUTSCH

ELIMINACIÓN DEL PRODUCTO

Todos los pasacables de la serie DEFENDER® están fabricados con plástico (poliuretano y poliuretano termoplástico) muy duro y resistente a la rotura. El poliuretano es una materia prima valiosa, 100% reciclable y no se considera un residuo peligroso, por lo que su eliminación no está sujeta a requisitos especiales. Los pasacables se pueden desechar en centros de recogida selectiva, o bien, en vertederos y plantas de incineración de residuos.

FRANCAIS

ESPAÑOL

POLSKI

ITALIANO

GARANTÍA LIMITADA

La presente garantía cubre el producto de la marca DEFENDER® que ha adquirido de Adam Hall. No afecta a los derechos de garantía legal de la que responde el vendedor. De hecho, le concede derechos adicionales ante Adam Hall, independientes de la garantía legal.

Por la presente, Adam Hall garantiza que el producto que ha adquirido de Adam Hall o de un partner de Adam Hall estará exento de defectos de material y fabricación, en condiciones normales de uso, durante un período de 5 años a partir de la fecha de compra. El período de garantía entra en vigor el día de la fecha de compra. Para ejercer su derecho a la garantía será necesario presentar un justificante de compra válido en el que figure la fecha de compra del producto, por ejemplo, la factura o el albarán de entrega. Si el producto adquirido necesitara una reparación dentro del período de garantía, usted tendrá derecho a obtener los servicios de garantía conforme a los términos y condiciones establecidos en este documento.

La presente garantía se aplica únicamente al comprador original del producto comercializado por Adam Hall y no es transferible a una tercera persona a la que el comprador original haya transferido la propiedad del producto Adam Hall. Durante el período de garantía, Adam Hall se compromete a reparar o sustituir las piezas defectuosas o el producto en cuestión. Todos los componentes substituidos o retirados en el marco de la presente garantía pasarán a ser propiedad de Adam Hall.

En el caso improbable de que se produzca un fallo recurrente en el producto adquirido, Adam Hall, a su entera discreción, podrá optar por sustituir dicho producto defectuoso por otro de similares características.

Adam Hall no garantiza el funcionamiento ininterrumpido y sin fallos de este producto. Adam Hall no se hace responsable de los posibles daños ocasionados por no seguir las instrucciones de uso suministradas con el producto.

Esta garantía no cubre:

- los consumibles (baterías, válvulas, etc.)
- los productos cuyo número de serie ha sido borrado, o que han quedado dañados y defectuosos debido a un accidente
- los defectos ocasionados por un uso incorrecto o indebido, o cualquier otra causa ajena
- los equipos que no se utilizan conforme a los parámetros establecidos en la documentación suministrada con el producto
- los equipos que no fueron reparados con piezas fabricadas o distribuidas por Adam Hall
- los equipos cuyo mantenimiento, modificación o reparación no haya sido realizado por Adam Hall o uno de sus servicios técnicos autorizados

Estos términos y condiciones constituyen el acuerdo de garantía íntegro y exclusivo entre usted y Adam Hall en relación con el producto Adam Hall que acaba de adquirir.

Esta garantía sólo es válida dentro de Europa. Fuera de Europa deberá dirigirse a nuestros distribuidores oficiales.

ENGLISH

DEUTSCH

FRANCAIS

ESPAÑOL

POLSKI

ITALIANO

LIMITACIÓN DE RESPONSABILIDAD

Si su producto Adam Hall no funciona de acuerdo con las garantías mencionadas arriba, tendrá derecho exclusivamente a la reparación o sustitución del mismo. La responsabilidad máxima de Adam Hall en virtud de los términos de esta garantía está limitada al menor importe que resulte del precio de compra del producto, del coste de la reparación o la sustitución de las piezas que han dejado de funcionar en condiciones normales de uso.

Adam Hall no será responsable de cualquier daño causado por el producto o por el mal funcionamiento del producto, incluidas la pérdida de ganancias, la pérdida de ahorros o cualquier consecuencia derivada de dichas pérdidas. Adam Hall no se hará responsable de ninguna reclamación presentada por un tercero o por el comprador inicial en nombre de un tercero.

Esta limitación de responsabilidad se aplicará con independencia de que se solicite una indemnización por daños y perjuicios, o se presenten reclamaciones por negligencia, contractuales o de cualquier otra índole, y no podrá ser derogada o modificada. Esta limitación de responsabilidad será efectiva incluso en el caso de que el comprador hubiese avisado previamente a Adam Hall o a alguno de sus representantes de la posibilidad de reclamar daños y perjuicios. No obstante, esta limitación de responsabilidad no tendrá efecto en caso de reclamación por daños personales.

Esta garantía limitada le otorga derechos legales específicos. Puede que posea derechos adicionales conforme a la legislación del país o Estado en el que se encuentre. Le recomendamos que consulte la legislación vigente en su país o Estado para conocer el alcance de sus derechos.

APLICACIÓN DE LA GARANTÍA

Para solicitar asistencia técnica en relación con el producto en garantía, póngase en contacto con Adam Hall GmbH, Adam-Hall-Str. 1, 61267 Neu Anspach (Alemania); correo electrónico Info@adamhall.com; +49 (0)6081 / 9419-0 o con el distribuidor autorizado donde adquirió el producto.

Importante

La ligera decoloración del material y el brillo metálico se deben a los aditivos libres de halógenos que actúan como retardantes de llamas y a los materiales reciclados. No pueden considerarse como un defecto.

¡Los errores de imprenta y los errores, así como los cambios técnicos o de otro tipo están reservados!

DEFENDER[®] MICRO 2

ENGLISH

DEUTSCH

FRANCAIS

ESPAÑOL

POLSKI

ITALIANO

DEFENDER® MICRO 2

ENGLISH

SPIS TREŚCI

INFORMACJE DOTYCZĄCE BEZPIECZEŃSTWA	Strona 43
OGÓLNY OPIS	Strona 44
UTRZYMYWANIE PRODUKTU W DOBRYM STANIE	Strona 44
MONTAŻ	Strona 45
SZCZEGÓŁOWY OPIS PRODUKTU DEFENDER® MICRO 2	Strona 46
CZĘŚCI ZAMIENNE I AKCESORIA	Strona 48
UTYLIZACJA	Strona 48
OGRANICZONA GWARANCJA	Strona 49
OGRANICZENIE ODPOWIEDZIALNOŚCI	Strona 50
ŻĄDANIE OBSŁUGI GWARANCYJNEJ	Strona 50

DEUTSCH

FRANCAIS

ESPAÑOL

POLSKI

ITALIANO

Aktualna wersja instrukcji dostępna na stronie pod adresem: defender-protects.com

INFORMACJE DOTYCZĄCE BEZPIECZEŃSTWA

Zadaniem wszystkich mostów kablowych serii DEFENDER® jest ochrona leżących na podłożu przewodów przed uszkodzeniem oraz ochrona odwiedzających i organizatorów przed obrażeniami spowodowanymi ewentualnym potknięciem. Aby produkty mogły z powodzeniem spełniać swoje zadanie, używając mostów kablowych należy przestrzegać następujących wskazówek dotyczących bezpieczeństwa:

- Niniejsza instrukcja obsługi jest częścią produktu i powinna zostać przed jego użyciem dokładnie przeczytana.
- Należy przestrzegać zakresu zastosowań i maksymalnego obciążenia mostów kablowych DEFENDER®. Obowiązujące parametry znajdują się w opisie szczegółowym poszczególnych wersji produktu.
- Należy używać mostów kablowych DEFENDER® na utwardzonych i równych powierzchniach. Przedstawione w opisie szczegółowym wartości obciążenia dotyczą wyłącznie zastosowania produktu na utwardzonych i równych powierzchniach. Wartości maksymalnego obciążenia na nierównym lub miękkim podłożu mogą być o wiele niższe.
- W przypadku użycia mostów kablowych na drogach publicznych lub chodnikach mogą być wymagane dodatkowe oznakowania/informacje ostrzegawcze lub zezwolenia.
- Do mostów kablowych DEFENDER® należy używać wyłącznie oryginalnych części zamiennych i akcesoriów.



NIEBEZPIECZEŃSTWO

Wadliwa izolacja – zagrożenie dla życia wskutek porażenia prądem → Należy stosować wyłącznie przewody spełniające określone przepisy instalacyjne dotyczące napięcia, prądu, materiału izolacyjnego, obciążalności itd.



Ostrożnie! Niebezpieczeństwo potknięcia się.

SZCZEGÓLNIIE WAŻNE:

- **NIE WOLNO dokonywać żadnych zmian w produktach. Modyfikowanie najazdów kablowych marki DEFENDER® zmienia ich właściwości, pogarsza działanie ochronne i powoduje utratę gwarancji.**
- **NIE WOLNO prowadzić najazdów kablowych przez rowy, szachty, stopnie lub inne nierówności.**
- **Na najazdach kablowych NIE WOLNO stawiać podestów, rusztowań, trawersów i tym podobnych.**
- **NIE WOLNO układać w najazdach kablowych sztywnych przewodów gazowych.**
- **NIE WOLNO układać w najazdach kablowych kabli zasilających o napięciu większym niż 500 V.**
- **Kanał kablowy może być wypełniony maks. w 70% pod dolną częścią pokrywy.**

Aby wykluczyć możliwość potknięcia się:

- mosty kablowe należy połączyć w ciągłe kanały,
- należy sprawdzić połączenia między mostami po każdorazowym przemieszczeniu produktów,
- należy sprawdzić funkcje pokryw zamykających po każdorazowym przemieszczeniu produktów,
- należy upewnić się, że pokrywa zamykająca tkwi stabilnie w swoich zatrzaskach,
- należy zadbać o czystość w obszarze zawiasów i zamknięcia,
- po smarowaniu zawiasów należy usunąć nadmiar smaru.

DEFENDER[®] MICRO 2

ENGLISH

OGÓLNY OPIS

Mosty kablowe służą jako osłona przewodów biegnących tymczasowo po ziemi, np. w trakcie targów, wystaw i imprez. Mosty kablowe służą również jako ochrona dla ludzi przed potknięciem.

Zdecydowali się Państwo na produkty serii DEFENDER[®] i dokonali najlepszego wyboru w zakresie bezpieczeństwa przewodów i osób. Cechy mostów kablowych DEFENDER:

- Certyfikat bezpieczeństwa TÜV SÜD (MICRO 2-86100, MINI-85200, MIDI 5-85300)
- Opatentowane samooczyszczające się zawiasy (nr patentu UE: EP1366550)
- Zaprojektowane i wyprodukowane w Niemczech
- Klasa ochrony przeciwpożarowej E wg DIN EN 13501-1
- Poddawane surowym kontrolom w zakresie surowców i produkcji
- Wykonane z bardzo mocnego, odpornego i nadającego się w 100% do recyklingu tworzywa sztucznego
- Odporność na oleje, kwasy i benzynę
- Możliwość używania w temperaturach od ok. -30°C do +60°C
- Wartość 88 Shore-A \pm 4 w skali twardości Shore'a
- Różnorodność wariantów produktu z dopasowanymi elementami systemu
- Szeroki zakres zastosowania od placów budowy po pomieszczenia biurowe

DEUTSCH

FRANCAIS

ESPAÑOL

UTRZYMYWANIE PRODUKTU W DOBRYM STANIE

Wszystkie mosty kablowe serii DEFENDER[®] są wykonane z mocnego i odpornego tworzywa sztucznego (poliuretanu). Mosty można bez problemu czyścić nawet za pomocą myjki parowej. Aby zapewnić poprawne funkcjonowanie produktu, należy zadbać o czystość w obszarze zawiasów i zamknięcia oraz regularnie delikatnie smarować zawiasy i zamknięcie. W tym celu zalecamy stosowanie powszechnie dostępnego aerozolu teflonowego lub silikonowego. Należy usunąć nadmiar aerozolu, aby zapobiec niebezpieczeństwu poślizgu.

POLSKI

ITALIANO

MONTAŻ

Mosty kablowe serii DEFENDER[®] można montować w prosty i bezpieczny sposób. Powierzchnie, kąty i krawędzie zostały zaprojektowane w taki sposób, iż nie stanowią żadnego zagrożenia. Mosty kablowe o masie własnej do 20 kg mogą być bezpiecznie transportowane przez jedną osobę. Mosty kablowe o masie własnej powyżej 20 kg mogą być bezpiecznie transportowane przez dwie osoby.

Każdy produkt posiada elementy łączące w celu połączenia mostów kablowych jednej serii produkcyjnej w nieskończenie długie kanały. Tak skonstruowane linie są zasadniczo dostatecznie stabilne, aby bez dodatkowych zabezpieczeń można było po nich przechodzić lub przejeżdżać. Aby wybrać produkt odpowiedni do własnych potrzeb, należy zapoznać się z zakresem zastosowań i dopuszczalnymi obciążeniami zawartymi w opisie szczegółowym poszczególnych wersji produktu.

W wersjach DEFENDER[®] 3 i ULTRA L 2 przewidziane są specjalne otwory służące do przymocowania mostu do podłoża. Jeżeli ciągi zbudowane z produktów w tych wersjach zostaną poddane bardzo wysokim obciążeniom mogącym doprowadzić do ich przemieszczenia w trakcie użytkowania, zalecane jest przymocowanie mostów kablowych do podłoża. W przypadku użycia mostów kablowych na drogach publicznych lub chodnikach mogą być wymagane dodatkowe oznakowania/informacje ostrzegawcze lub zezwolenia.

Przedstawione w opisie szczegółowym wartości obciążenia dotyczą wyłącznie zastosowania produktu na utwardzonych i równych powierzchniach. Wartości maksymalnego obciążenia mogą być na nierównym lub miękkim podłożu o wiele niższe. W takich warunkach przed użyciem należy przeprowadzić odpowiednie testy obciążeniowe. Maksymalne obciążenie mostów kablowych, które gwarantuje producent, dotyczy wyłącznie używania niezmodyfikowanych produktów, które są używane zgodnie z ich przeznaczeniem i na utwardzonym oraz równym podłożu.

Mosty kablowe serii DEFENDER[®] można używać w przypadku przewodów (np. woda/kanalizacja) i kabli doprowadzających prąd o niskim napięciu do 500 V (np. przewody telekomunikacyjne/sterujące/elektryczne). Mosty kablowe NIE nadają się do ochrony sztywnych przewodów gazowych.

W przypadku użycia złączy lub wtyczek w ciągu połączonych mostów należy zwrócić uwagę na odpowiedni odstęp od ścianek bocznych i pokrywy. Każdy użytkownik jest odpowiedzialny za sposób układania przewodów i za użyty rodzaj przewodów, które mają być chronione za pomocą mostów kablowych DEFENDER[®].

Po ułożeniu (z wyjątkiem wersji COMPACT i OFFICE) istnieje możliwość otwarcia pokrywy poprzez ich pociągnięcie w górę. Zatrzaszkują się one samoczynnie w położeniu krańcowym i same pozostają otwarte aż do zamierzonego zamknięcia. Ułatwia to układanie przewodów. Po ułożeniu przewodów pokrywy należy zamknąć. Jednocześnie należy uważać, aby zamknięcie pokrywy zatrzasnęło się mocno w podstawie. Tylko w ten sposób można zapobiec niezamierzonemu otwarciu pokrywy pod wpływem obciążenia.

ENGLISH

DEUTSCH

FRANCAIS

ESPAÑOL

POLSKI

ITALIANO

DEFENDER[®] MICRO 2

ENGLISH

DEFENDER[®] MICRO 2

Kompaktowy najazd kablowy DEFENDER[®] MICRO 2 idealnie nadaje się do zastosowań zarówno we wnętrzach, jak i na zewnątrz, na przykład na wystawach, targach, w centrach handlowych, na scenach lub w studiach. Składa się z dwóch kanałów kablowych 35 x 30 mm na kable elektryczne i węże do wody. Przy udźwigu 2 ton na 20 x 20 cm powierzchni przez najazdy kablowe MICRO 2 mogą przejeżdżać małe ciężarówki, samochody, wózki, rowery, wózki inwalidzkie i przechodzić piesi. Powierzchnia LaserGrip[®], dzięki swojej specjalnej strukturze i unikalnej konstrukcji, zapewnia wyjątkową odporność na poślizg i wstrząsy. Wyjątkowo odporny na pęknięcia materiał TPU zapewnia długą żywotność tego wytrzymałego najazdu kablowego.

Jeszcze większe bezpieczeństwo dzięki nowej powierzchni 3D LaserGrip[®]

Dzięki naszemu nowatorskiemu rozwiązaniu 3D LaserGrip[®] wyraźnie zwiększają się właściwości antypoślizgowe powierzchni. Dzięki wyjątkowemu kształtowi i strukturze powierzchni przesuwanie się linii najazdów kablowych DEFENDER[®] MICRO 2 jest znacznie zredukowane, nawet gdy przejeżdżają po nich ciężkie pojazdy.

Oznakuj swoje najazdy kablowe! Zamawiając już 30 sztuk danego modelu, możesz zindywidualizować wszystkie najazdy kablowe marki DEFENDER[®], umieszczając na nich logo swojej firmy. Odpowiedni wzór formatu jest dostępny powyżej w obszarze plików do pobrania. Zapraszamy do kontaktu.

MICRO 2 MICRO 2 BLK	1005 x 273 x 45 mm	Masa: 5,2 kg
Obciążalność:		
Tony (powierzchnia 20 x 20 cm)	Pełna wysokość kanału	
1,3 t	21 mm	
2,0 t	18 mm	
Obszar zastosowań: targi / ścieżki dla pieszych / targowiska / jarmarki / warsztaty / hale magazynowe / centra handlowe / domy handlowe itp.		

DEUTSCH

FRANCAIS

ESPAÑOL

POLSKI

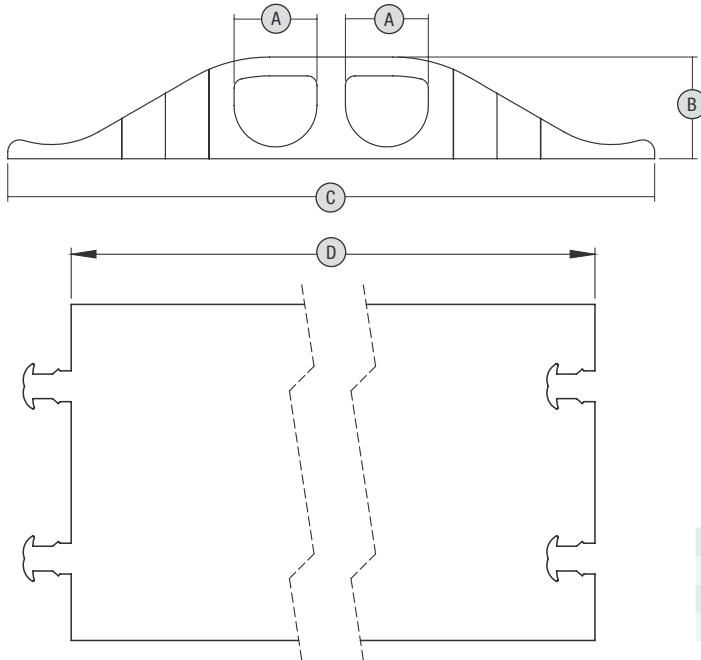
ITALIANO



86100

86100BLK

RYSUNEK TECHNICZNY



A	35 mm / 1.4"
B	45 mm / 1.8"
C	273 mm / 10.7"
D	1005 mm / 39.6"

Akcesoria:



86101M
DEFENDER® MICRO END RAMP MALE



86101F
DEFENDER® MICRO END RAMP FEMALE

ENGLISH

DEUTSCH

FRANCAIS

ESPAÑOL

POLSKI

ITALIANO

DEFENDER® MICRO 2

ENGLISH

CZĘŚCI ZAMIENNE I AKCESORIA

Seria DEFENDER® obejmuje różnorodne wersje produktu z dopasowanymi elementami systemowymi i nadaje się zarówno na plac budowy, jak i do pomieszczeń biurowych.

Szeroki wybór najczęściej używanych elementów systemowych znajduje się w poszczególnych opisach szczegółowych niniejszej instrukcji.

Pełna lista elementów systemowych, zamienników i akcesoriów znajduje się na stronie <http://www.defender-protects.com>.

DEUTSCH

UTYLIZACJA

Wszystkie mosty kablowe serii DEFENDER® wykonane są z mocnego i odpornego tworzywa sztucznego (poliuretanu i termoplastycznego poliuretanu). Poliuretan to cenny surowiec, który nadaje się w 100% do recyklingu i zalicza się do bezpiecznych odpadów. Dzięki temu utylizacja nie podlega specjalnym wymaganiom. Mosty kablowe są odbierane przez centra recyklingu, punkty odbioru surowców wtórnych lub inne wysypiska i spalarnie śmieci.

FRANCAIS

ESPAÑOL

POLSKI

ITALIANO

OGRANICZONA GWARANCJA

Niniejsza gwarancja obejmuje zakupiony przez Państwa produkt Adam Hall marki DEFENDER®. Niniejsza gwarancja nie narusza ustawowych praw wynikających z rękojmi wobec sprzedawcy. Gwarancja ta określa dodatkowe oddzielne roszczenia wobec firmy Adam Hall.

Udzielając niniejszej gwarancji, firma Adam Hall zapewnia, że zakupiony przez Państwa w firmie Adam Hall lub u partnera firmy Adam Hall produkt przy normalnym użytkowaniu w okresie 5 lat od daty zakupu będzie wolny od wad materiałowych lub wad technologicznych. Okres gwarancji rozpoczyna się z dniem zakupu. Potwierdzenie daty zakupu niezbędne dla dochodzenia roszczenia gwarancyjnego następuje poprzez okazanie paragonu opatrzonego datą zakupu lub dowodu dostawy opatrzonego datą zakupu. Użytkownik ma prawo do serwisu gwarancyjnego zgodnie z warunkami i postanowieniami wymienionymi w niniejszym dokumencie, jeśli wymagana jest naprawa w trakcie okresu gwarancyjnego.

Niniejsza gwarancja przysługuje wyłącznie pierwotnemu kupującemu, który nabył produkt oferowany przez firmę Adam Hall i nie podlega przeniesieniu na osoby, na które pierwotny kupujący przeniósł własność w odniesieniu do produktu firmy Adam Hall.

W trakcie trwania okresu gwarancji wadliwe komponenty lub produkt firmy Adam Hall podlegają naprawie lub wymianie. Wszystkie komponenty wymienione lub usunięte w ramach niniejszej gwarancji stają się własnością firmy Adam Hall.

W mało prawdopodobnym przypadku, gdy w zakupionym przez Państwa produkcie firmy Adam Hall wada wystąpiłaby wielokrotnie, firma Adam Hall może, według własnego uznania, zdecydować o wymianie tego produktu na porównywalny produkt o co najmniej takich samych parametrach.

Firma Adam Hall nie udziela gwarancji na bezzakłóceniowe lub bezawaryjne działanie niniejszego produktu. Firma Adam Hall nie ponosi odpowiedzialności za szkody wynikłe z nieprzestrzegania instrukcji objętych zakresem dostawy.

Niniejsza gwarancja nie obejmuje:

- części zużywalnych (np. akumulatora, lamp elektronowych);
- urządzeń, z których usunięto numer seryjny lub które zostały uszkodzone w wyniku wypadku;
- nieodpowiedniej lub nieprawidłowej eksploatacji lub innych przyczyn zewnętrznych;
- urządzeń, które były eksploatowane niezgodnie z parametrami pracy określonymi w dokumentacji użytkownika objętej zakresem dostawy produktu;
- urządzeń, które były naprawiane przy użyciu części, których nie wyprodukowała lub nie sprzedała firma Adam Hall;
- urządzeń, które były serwisowane, modyfikowane lub naprawiane przez inne osoby niż firma Adam Hall lub jej autoryzowany partner serwisowy.

Niniejsze postanowienia i warunki stanowią kompletną i wyłączną umowę gwarancyjną między klientem a firmą Adam Hall dotyczącą zakupionego przez klienta produktu Adam Hall.

Niniejsza gwarancja jest ważna tylko na terenie Europy. Poza Europą proszę kontaktować się z naszymi oficjalnymi dystrybutorami.

ENGLISH

DEUTSCH

FRANCAIS

ESPAÑOL

POLSKI

ITALIANO

OGROANICZENIE ODPOWIEDZIALNOŚCI

Jeśli Twój produkt Adam Hall nie działa prawidłowo, wskazanym i wyłącznym rozwiązaniem jest naprawa lub wymiana. Maksymalna odpowiedzialność firmy Adam Hall w związku z niniejszą gwarancją ogranicza się maksymalnie do kwoty równej cenie zakupu produktu lub kosztom naprawy lub wymiany komponentów sprzętowych, które uległy uszkodzeniu lub nie działają prawidłowo podczas normalnego użytkowania.

Adam Hall nie odpowiada za jakiegokolwiek szkody spowodowane przez produkt lub awarię produktu, włącznie z utratą zysków lub oszczędności, szczególnych, przypadkowych lub powiązanych szkód. Adam Hall nie ponosi odpowiedzialności za zobowiązania użytkownika wobec stron trzecich lub zobowiązania stron trzecich wobec użytkownika.

Ograniczenie odpowiedzialności ma zastosowanie w przypadku, gdy występują roszczenia odszkodowawcze lub składane są reklamacje na podstawie niniejszej gwarancji lub jako roszczenie z tytułu czynu niedozwolonego (włączając w to zaniedbanie oraz ścisłą odpowiedzialność za produkt), roszczenie z umowy lub jakiegokolwiek inne roszczenie. Żadna osoba nie może uchylić lub zmienić tych ograniczeń odpowiedzialności. Niniejsze ograniczenie odpowiedzialności pozostaje w mocy nawet jeśli nabywca poinformował firmę Adam Hall lub jej autoryzowanego przedstawiciela o możliwości wystąpienia takich szkód. Te ograniczenia odpowiedzialności nie dotyczą roszczeń wynikających z wystąpienia obrażeń u osób.

Niniejsza Gwarancja daje Ci pewne specyficzne prawa. Mogą przysługiwać Ci również inne prawa, które różnią się między sobą zależnie od państwa nadania. Radzimy zapoznanie się z prawem właściwym krajowi zamieszkania, w celu uzyskania kompletnej wiedzy na temat przysługujących praw.

ŻĄDANIE OBSŁUGI GWARANCYJNEJ

Aby uzyskać obsługę gwarancyjną swojego produktu, skontaktuj się z firmą Adam Hall GmbH, Adam-Hall-Str. 1, 61267 Neu Anspach (Niemcy) / e-mail Info@adamhall.com / +49 (0)6081 / 9419-0 lub jej autoryzowanym przedstawicielem od którego kupiłeś produkt.

Ważne

Lekkie przebarwienia materiału i metaliczny połysk wynikają z zastosowania bezhalogenowych dodatków zmniejszających palność oraz materiałów pochodzących z recyklingu. Nie można ich uznać za wadę.

Błędy w druku i błędy, jak również zmiany techniczne i inne zmiany są zastrzeżone!

DEFENDER® MICRO 2

ENGLISH

DEUTSCH

FRANCAIS

ESPAÑOL

POLSKI

ITALIANO

DEFENDER® MICRO 2

ENGLISH

INDICE

INDICAZIONI SULLA SICUREZZA	Pagina 53
DESCRIZIONE GENERALE	Pagina 54
PULIZIA E CURA	Pagina 54
INSTALLAZIONE	Pagina 55
DESCRIZIONE DETTAGLIATA DEFENDER® MICRO 2	Pagina 56
RICAMBI E ACCESSORI	Pagina 58
SMALTIMENTO	Pagina 58
GARANZIA DEL PRODUTTORE	Pagina 59
LIMITAZIONI DI RESPONSABILITÀ	Pagina 60
RICORSO ALLA GARANZIA	Pagina 60

DEUTSCH

FRANCAIS

ESPAÑOL

POLSKI

ITALIANO

Aggiornamento sempre disponibile in Internet alla pagina: defender-protects.com

INDICAZIONI SULLA SICUREZZA

Tutte le pedane passacavo della serie DEFENDER[®] sono pensate per proteggere tubazioni e cavi a terra da possibili danneggiamenti ed evitare che i visitatori e gli organizzatori di un evento possano inciampare. Per assicurare il raggiungimento di questi obiettivi, al momento di utilizzare la pedana passacavo è necessario rispettare le seguenti istruzioni di sicurezza:

- Questo manuale d'uso è parte integrante del prodotto e deve essere letto con attenzione prima dell'utilizzo.
- Le pedane passacavo DEFENDER[®] possono essere utilizzate unicamente negli ambiti d'impiego previsti e senza superare i limiti di carico. I parametri validi sono riportati nella descrizione dettagliata della rispettiva variante di prodotto.
- Le pedane passacavo DEFENDER[®] vanno utilizzate su terreno piano e stabile. La capacità di carico specificata nella descrizione dettagliata si ottiene unicamente su terreno piano e stabile. Nel caso di superfici irregolari o poco stabili la capacità di carico potrebbe ridursi notevolmente.
- Nel caso in cui le pedane passacavo vengano utilizzate su strade o marciapiedi pubblici ecc. potrebbe essere necessario predisporre segnali e indicazioni di pericolo addizionali o richiedere apposite autorizzazioni.
- Utilizzare le pedane passacavo DEFENDER[®] unicamente con i ricambi e gli accessori originali.



PERICOLO

Isolamento difettoso Pericolo di morte a causa di scosse elettriche → Utilizzare solo cavi conformi alle norme di installazione prescritte relativamente a tensione, corrente, materiale isolante, capacità di carico ecc.



Cautela! Pericolo di inciampo.

MOLTO IMPORTANTE:

- **NON modificare il prodotto. Eventuali modifiche alle pedane passacavi DEFENDER[®] alterano le proprietà del prodotto, riducono l'efficacia della protezione e inficiano la garanzia.**
- **NON utilizzare come ponte per fossati, pozzi, gradini o avvallamenti analoghi.**
- **NON appoggiare pedane, impalcature, traverse e strutture simili sulla pedana passacavo.**
- **NON installare tubi del gas rigidi nella pedana passacavo.**
- **NON posizionare cavi con tensione >500 V nei passacavi**
- **Riempire le canaline solo al massimo fino al 70%, fino al lato inferiore del coperchio**

Per evitare che la struttura antinciampo costituisca paradossalmente un rischio di caduta:

- Collegare tra loro le pedane passacavo creando serie chiuse.
- A ogni posa, verificare che il giunto sia perfettamente in sede.
- A ogni posa, verificare il corretto funzionamento delle chiusure dei coperchi.
- Aver cura che la chiusura del coperchio sia correttamente ancorata alla base.
- Mantenere pulita l'area delle cerniere e la chiusura.
- Dopo aver effettuato la manutenzione delle cerniere, eliminare il lubrificante in eccesso.

DESCRIZIONE GENERALE

Le pedane passacavo si utilizzano per proteggere tubazioni e cavi posati a terra in installazioni temporanee, ad esempio in fiere, mercati e manifestazioni. Lo scopo delle pedane passacavo è evitare che le persone possano inciampare e cadere.

La scelta di un prodotto della serie DEFENDER® è il modo migliore per proteggere cavi e tubazioni e la sicurezza delle persone. Caratteristiche delle pedane passacavo DEFENDER:

- Sicurezza certificata TÜV SÜD (MICRO 2-86100, MINI-85200, MIDI 5-85300)
- Cerniera autopulente brevettata (brevetto UE n.: EP1366550)
- Sviluppo e fabbricazione in Germania
- Classe di protezione antincendio E secondo DIN EN 13501-1
- Rigorosissimi controlli delle materie prime e della produzione
- Realizzate in plastica molto robusta, resistente allo strappo e 100% riciclabile
- Resistenti a oli, acidi e benzina
- Intervallo operativo da -30 °C a +60 °C
- Range di durezza pari a 88 Shore A ± 4
- Disponibilità di numerose varianti di prodotto con i componenti corrispondenti
- Ampio ventaglio di applicazioni, dai cantieri agli uffici

PULIZIA E CURA

Tutte le pedane passacavo della serie DEFENDER® sono realizzate in materiale plastico (poliuretano) estremamente stabile e resistente. Le pedane si possono pulire senza problemi, utilizzando anche idropultrici a vapore. Per garantire sempre un funzionamento ottimale, tenere sempre pulita l'area delle cerniere e la chiusura e lubrificare leggermente la cerniera e la chiusura a cadenze regolari, utilizzando preferibilmente spray al teflon o al silicone - normalmente disponibili in commercio. Dopo l'applicazione, togliere il lubrificante in eccesso per evitare pericoli di scivolamento.

INSTALLAZIONE

Le pedane passacavo della serie DEFENDER® si montano in modo facile e sicuro. Superfici, spigoli e bordi sono appositamente disegnati per evitare pericoli di lesioni. Le pedane passacavo che pesano meno di 20 kg possono essere trasportate senza pericoli da una sola persona. Le pedane passacavo di peso superiore a 20 kg possono essere trasportate da 2 persone.

Ogni pedana passacavo dispone dei giunti e dei relativi agganci che permettono di creare serie di pedane collegate tra loro praticamente all'infinito. In generale, una volta installate le serie sono abbastanza stabili da poter sopportare il passaggio di persone e veicoli senza problemi. Per scegliere la pedana più adatta alle proprie esigenze, consultare la descrizione dettagliata della variante di prodotto che interessa, in cui sono riportate le aree di impiego e la capacità di carico.

I modelli DEFENDER® 3 e ULTRA L 2 sono provvisti di speciali fori per l'ancoraggio al terreno. Qualora le serie create con questi modelli siano soggette a condizioni più gravose, per cui sussiste il rischio che si spostino, è consigliabile provvedere a un ancoraggio al suolo supplementare. Nel caso in cui le pedane passacavo vengano utilizzate su strade o marciapiedi pubblici ecc., potrebbe essere necessario predisporre segnali e indicazioni di pericolo addizionali o richiedere apposite autorizzazioni.

La capacità di carico indicata nella descrizione dettagliata si ottiene unicamente con installazione su superfici piane e stabili. Nel caso di superfici irregolari o poco stabili, la capacità di carico potrebbe ridursi notevolmente; in tal caso, prima dell'utilizzo si consiglia di effettuare i relativi test di resistenza. Garantiamo la capacità di carico delle nostre pedane passacavo unicamente se il prodotto non modificato viene utilizzato correttamente e su terreno stabile e piano.

Le pedane passacavo DEFENDER® consentono di proteggere tubazioni (acqua/scarichi) e cavi di bassa tensione fino a 500 V (ad esempio per comunicazione, comandi, corrente elettrica). Le pedane passacavo NON sono idonee per tubi del gas rigidi.

Quando nelle serie di pedane passacavo si alloggiano raccordi e connettori soggetti a rottura, aver cura di mantenere una distanza sufficiente dalle pareti laterali e dal coperchio. L'utilizzatore è responsabile del metodo di posa adottato nonché del tipo di cavi e tubazioni che intende proteggere con le pedane passacavo DEFENDER®.

Dopo l'installazione delle pedane, è possibile aprire i coperchi sollevandoli dall'alto (a esclusione dei modelli COMPACT e OFFICE). I coperchi si incastrano automaticamente nella posizione finale e rimangono aperti in modo indipendente, facilitando così la posa di cavi e tubazioni. Al termine dell'operazione richiudere i coperchi. Aver cura che la chiusura del coperchio si incastri perfettamente nella base per evitare aperture accidentali del coperchio sottoposto a sollecitazioni.

ENGLISH

DEUTSCH

FRANCAIS

ESPAÑOL

POLSKI

ITALIANO

DEFENDER® MICRO 2

ENGLISH

DEFENDER® MICRO 2

La pedana passacavi compatta DEFENDER® MICRO 2 è ideale per l'utilizzo all'interno e all'esterno, ad esempio per mostre, fiere, centri commerciali, palchi o studi. Dispone di due guide cavi da 35 x 30 mm per cavi di alimentazione e tubi flessibili dell'acqua. Con una capacità di carico di 2 tonnellate per un'area di 20 x 20 cm, le pedane passacavi MICRO 2 reggono il peso di camion di piccole dimensioni, veicoli a motore, carrelli, biciclette, sedie a rotelle e pedoni. La superficie LaserGrip®, con la sua speciale struttura e il suo design unico, assicura una speciale resistenza allo scivolamento e al calpestio. Il TPU, estremamente resistente alla rottura, garantisce la lunga durata della robusta pedana passacavi.

Ancora più sicuri grazie alla nuova superficie LaserGrip® 3D

L'innovativo design della superficie 3D LaserGrip® offre una maggiore sicurezza in termini di resistenza al calpestio e allo scivolamento. Grazie alla particolare forma e struttura superficiale, il rischio che un'intera linea di pedane passacavi DEFENDER® MICRO 2 si sposti, anche quando vi transitano sopra dei veicoli pesanti, è notevolmente ridotto.

Personalizzate la vostra pedana passacavi! Con un ordine di almeno 30 pezzi per modello offriamo la possibilità di personalizzare tutte le pedane passacavi DEFENDER® con il vostro logo aziendale. Il relativo formato è disponibile in alto nell'area download. Non esitate a contattarci.

DEUTSCH

FRANCAIS

ESPAÑOL

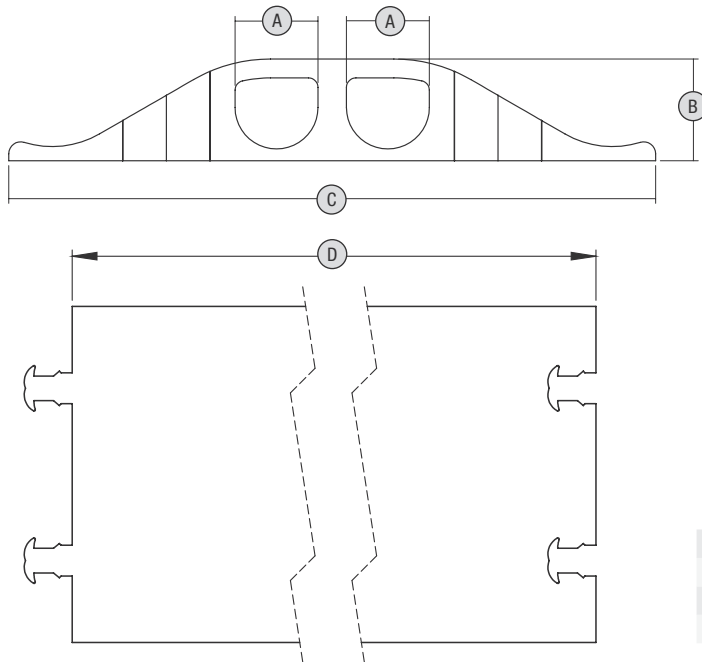
POLSKI

ITALIANO

MICRO 2 MICRO 2 BLK	1005 x 273 x 45 mm	Peso: 5,2 kg
Portata:		
Tonnellate (superficie 20 x 20 cm)	Livello riempimento canalina	
1,3 t	21 mm	
2,0 t	18 mm	
Impiego: fiere / marciapiedi / mercati / mercatini di Natale / officine / capannoni / centri commerciali / grandi magazzini / ecc.		



DISEGNO TECNICO



A	35 mm / 1.4"
B	45 mm / 1.8"
C	273 mm / 10.7"
D	1005 mm / 39.6"

Accessori:



86101M
DEFENDER® MICRO END RAMP MALE



86101F
DEFENDER® MICRO END RAMP FEMALE

ENGLISH

DEUTSCH

FRANCAIS

ESPAÑOL

POLSKI

ITALIANO

RICAMBI E ACCESSORI

La serie DEFENDER® è costituita da numerose varianti di prodotto con i componenti corrispondenti e può essere utilizzata in un ampio ventaglio di applicazioni, dai cantieri agli uffici.

Nelle descrizioni dettagliate del presente manuale è riportata una selezione dei componenti utilizzati più di frequente.

Per l'elenco completo di componenti, ricambi e accessori si rimanda alla pagina <http://www.defender-protects.com>

SMALTIMENTO

Tutte le pedane passacavo della serie DEFENDER® sono realizzate in materiale plastico (poliuretano e poliuretano termoplastico) estremamente stabile e resistente. Il poliuretano è una materia prima preziosa, al 100% riciclabile, e poiché non rientra tra i rifiuti pericolosi lo smaltimento non è soggetto a requisiti speciali. Le pedane passacavo vanno conferite alle isole ecologiche, ai centri di riciclaggio, a discariche o a inceneritori.

GARANZIA DEL PRODUTTORE

Questa garanzia copre il prodotto Adam Hall della marca DEFENDER® da Lei acquistato. I diritti legali di garanzia verso il venditore non sono oggetto della presente garanzia. Questa garanzia costituisce piuttosto la base di altri diritti verso Adam Hall.

Con la presente garanzia, Adam Hall assicura che il prodotto acquistato presso Adam Hall o un partner di Adam Hall, in normali condizioni d'uso resterà privo di difetti di materiale e di lavorazione per un periodo di 5 anni dalla data di acquisto. Il periodo di garanzia inizia con la data dell'acquisto. La certificazione della data di acquisto, necessaria a rendere valido il diritto ai servizi di garanzia, avviene attraverso lo scontrino oppure con la bolla di spedizione riportanti la data di acquisto. L'acquirente ha diritto al servizio di garanzia alle condizioni e secondo le disposizioni riportate in questo documento, qualora sia necessaria una riparazione durante il periodo di durata della garanzia.

Questa garanzia vale solo per l'acquirente originale del prodotto distribuito da Adam Hall e non è trasferibile a terzi cui sia stata trasferita la proprietà del prodotto Adam Hall da parte dell'acquirente originale. Durante il periodo di validità della garanzia, i componenti difettosi o il prodotto Adam Hall vengono riparati o sostituiti. Tutti i componenti sostituiti e/o rimossi durante la presente garanzia diventano proprietà di Adam Hall.

Nell'improbabile caso in cui il prodotto Adam Hall acquistato presenti ripetutamente un difetto, Adam Hall può decidere, a propria discrezione, di sostituire il suddetto prodotto con un prodotto simile che offra almeno le stesse prestazioni.

Adam Hall non garantisce il funzionamento privo di guasti o difetti del prodotto. Adam Hall esclude qualsiasi responsabilità per danni attribuibili alla mancata osservanza delle istruzioni incluse nella dotazione.

Questa garanzia non è estesa a quanto segue:

- Parti soggette ad usura (ad es. batteria, tubi)
- Apparecchi di cui sia stato rimosso o danneggiato il numero di serie o sui quali siano insorti difetti in conseguenza di un incidente
- Utilizzo non conforme o errato o altre cause esterne
- Apparecchi che non siano stati utilizzati conformemente ai parametri di esercizio, stabiliti nei documenti per l'utente inclusi nella dotazione del prodotto
- Apparecchi che siano stati riparati a causa dell'impiego di parti non prodotto
- Apparecchi che siano stati sottoposti a interventi di manutenzione, modifica o riparazione da terzi che non siano Adam Hall o un partner di assistenza autorizzato

Le presenti disposizioni e condizioni costituiscono l'accordo di garanzia completo ed esclusivo tra l'Acquirente e Adam Hall per il prodotto Adam Hall acquistato.

Questa garanzia è valida solo all'interno del territorio europeo. Fuori dall'Europa, si prega di rivolgersi ai nostri partner rivenditori ufficiali.

ENGLISH

DEUTSCH

FRANCAIS

ESPAÑOL

POLSKI

ITALIANO

LIMITAZIONI DI RESPONSABILITÀ

Nel caso in cui, durante il periodo di garanzia, i prodotti hardware Adam Hall presentino difetti di materiale o di lavorazione (in base alla dichiarazione di garanzia precedente), il solo ed unico diritto del cliente previsto dalla presente garanzia è quello di riparazione o sostituzione dell'apparecchio. La massima responsabilità di Adam Hall è limitata, come espressamente indicato nella garanzia, al prezzo d'acquisto o ai costi per la riparazione o la sostituzione (e in questo caso per l'importo minore) dei componenti hardware difettosi in caso di uso corretto degli stessi.

Adam Hall non è responsabile per eventuali danni provocati dal prodotto o dal malfunzionamento dello stesso, compresi mancati guadagni, perdite e danni speciali indiretti o conseguenti. Inoltre Adam Hall è indenne da richieste avanzate da terzi o dal cliente in nome di terzi.

La presente limitazione di responsabilità vale indipendentemente dal fatto che i danni siano oggetto di procedimenti giudiziari o che siano oggetto di risarcimento danni ai sensi della presente garanzia o per atti illeciti (incluse negligenza e responsabilità oggettiva) o per pretese contrattuali o di altra natura, e non può essere né annullata né modificata. La presente limitazione di responsabilità è valida anche nel caso in cui l'utente abbia avvisato Adam Hall o un rappresentante autorizzato di possibili danni. Tale limitazione non è però valida in caso di richieste per risarcimento danni in relazione a danni a persone.

La garanzia del produttore permette di godere di determinati diritti. A seconda della giurisdizione competente (dello stato o della regione in cui si risiede) è possibile ottenere ulteriori diritti. Si consiglia quindi di consultare le leggi applicabili per determinare l'insieme dei diritti di cui si può godere.

RICORSO ALLA GARANZIA

Per usufruire della garanzia rivolgersi direttamente a Adam Hall GmbH, Adam-Hall-Str. 1, 61267 Neu Anspach (Germania) / E-mail Info@adamhall.com / +49 (0)6081 / 9419-0 o al rivenditore autorizzato Adam Hall, dal quale è stato acquistato il prodotto.

Importante

Il leggero scolorimento del materiale e la lucentezza metallica sono dovuti agli additivi ritardanti di fiamma privi di alogeni e ai materiali riciclati. Non possono essere considerati un difetto.

Sono riservati errori e refusi, nonché modifiche tecniche o di altro tipo!

DEFENDER[®] MICRO 2

ENGLISH

DEUTSCH

FRANCAIS

ESPAÑOL

POLSKI

ITALIANO

DEFENDER[®] MICRO 2

DEFENDER[®] MICRO 2

DEFENDER-PROTECTS.COM